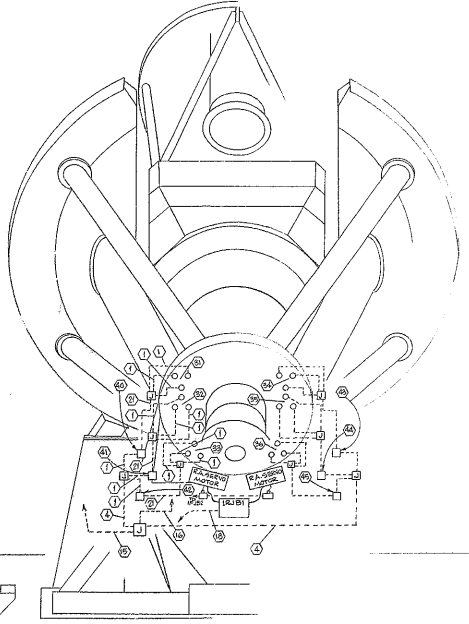
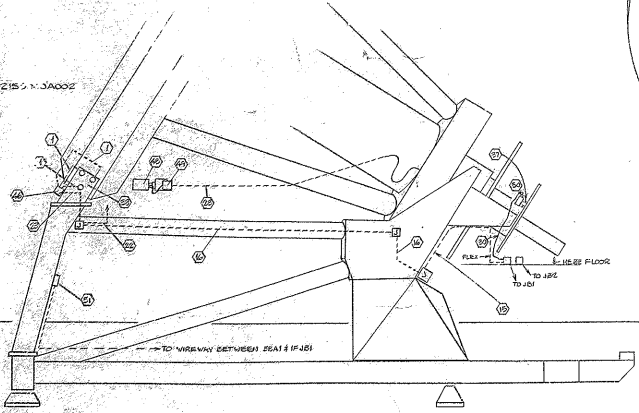
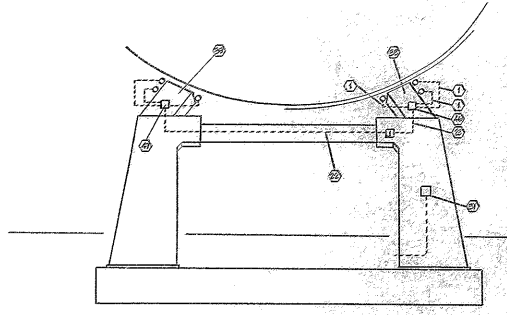


THIS TECHNICAL DATA, PREPARED UNDER UNITED STATES GOVERNMENT CONTRACT NO. 49-5000-01, IS HEREBY RELEASED TO THE PUBLIC ON THE CONDITION THAT THE REPRODUCING THEREOF SHALL BE LIMITED TO THE EXTENT PERMITTED BY THE COPYRIGHT ACT OF 1909 AND THE COPYRIGHT ACT OF 1976. THIS DOCUMENT IS NOT TO BE REPRODUCED OR TRANSMITTED IN ANY FORM OR BY ANY MEANS, ELECTRONIC OR MECHANICAL, INCLUDING PHOTOCOPYING, RECORDING, OR BY ANY INFORMATION STORAGE AND RETRIEVAL SYSTEM, WITHOUT PERMISSION IN WRITING FROM THE UNITED STATES GOVERNMENT. THIS DOCUMENT IS NOT TO BE REPRODUCED OR TRANSMITTED IN ANY FORM OR BY ANY MEANS, ELECTRONIC OR MECHANICAL, INCLUDING PHOTOCOPYING, RECORDING, OR BY ANY INFORMATION STORAGE AND RETRIEVAL SYSTEM, WITHOUT PERMISSION IN WRITING FROM THE UNITED STATES GOVERNMENT. THIS DOCUMENT IS NOT TO BE REPRODUCED OR TRANSMITTED IN ANY FORM OR BY ANY MEANS, ELECTRONIC OR MECHANICAL, INCLUDING PHOTOCOPYING, RECORDING, OR BY ANY INFORMATION STORAGE AND RETRIEVAL SYSTEM, WITHOUT PERMISSION IN WRITING FROM THE UNITED STATES GOVERNMENT.

ZONE		REVISIONS	
LET	NO.	DESCRIPTION	DATE APPROVED
G		ADDED P/N 21 ON E150.100E002	9-9-71

- EXPLANATION-**
- 1. 1" SEALITE CONDUIT, 2-1/2 AWG CONDUCTORS
 - 2.
 - 3.
 - 4. 3/4" CONDUIT, 3-1/2 AWG CONDUCTORS
 - 5.
 - 6.
 - 7.
 - 8.
 - 9. 3/4" CONDUIT, 2-1/2 AWG CONDUCTORS
 - 10.
 - 11.
 - 12.
 - 13.
 - 14.
 - 15. 1 1/2" RIGID CONDUIT, 24-1/2 AWG CONDUCTORS (TO 1F81)
 - 16. 2 1/2" RIGID CONDUIT, 2-1/2 AWG CONDUCTORS
 - 17.
 - 18. 2" SEALITE TO DRIVE RACK TO SW
 - 19.
 - 20.
 - 21. 2 1/2" SEALITE CONDUIT, 2-1/2 AWG CONDUCTORS
 - 22. 3/4" RIGID CONDUIT, 2-1/2 AWG CONDUCTORS
 - 23. 3/4" SEALITE
 - 24.
 - 25.
 - 26.
 - 27.
 - 28. 3/4" RIGID CONDUIT, 2-1/2 AWG CONDUCTORS CABLE (INITIAL)
 - 29.
 - 30. CABLE, 2-1/2 AWG CONDUCTORS (TO 1F81)
 - 31. 1/2" RIGID CONDUIT, 2-1/2 AWG CONDUCTORS
 - 32. 1/2" RIGID CONDUIT, 2-1/2 AWG CONDUCTORS
 - 33. 1/2" RIGID CONDUIT, 2-1/2 AWG CONDUCTORS
 - 34. 1/2" RIGID CONDUIT, 2-1/2 AWG CONDUCTORS
 - 35. 1/2" RIGID CONDUIT, 2-1/2 AWG CONDUCTORS
 - 36. 1/2" RIGID CONDUIT, 2-1/2 AWG CONDUCTORS
 - 37. 1/2" RIGID CONDUIT, 2-1/2 AWG CONDUCTORS
 - 38. 1/2" RIGID CONDUIT, 2-1/2 AWG CONDUCTORS
 - 39. 1/2" RIGID CONDUIT, 2-1/2 AWG CONDUCTORS
 - 40. 1/2" RIGID CONDUIT, 2-1/2 AWG CONDUCTORS
 - 41. 1/2" RIGID CONDUIT, 2-1/2 AWG CONDUCTORS
 - 42. 1/2" RIGID CONDUIT, 2-1/2 AWG CONDUCTORS
 - 43. 1/2" RIGID CONDUIT, 2-1/2 AWG CONDUCTORS
 - 44. 1/2" RIGID CONDUIT, 2-1/2 AWG CONDUCTORS
 - 45. 1/2" RIGID CONDUIT, 2-1/2 AWG CONDUCTORS
 - 46. 1/2" RIGID CONDUIT, 2-1/2 AWG CONDUCTORS
 - 47. 1/2" RIGID CONDUIT, 2-1/2 AWG CONDUCTORS
 - 48. 1/2" RIGID CONDUIT, 2-1/2 AWG CONDUCTORS
 - 49. 1/2" RIGID CONDUIT, 2-1/2 AWG CONDUCTORS
 - 50. 1/2" RIGID CONDUIT, 2-1/2 AWG CONDUCTORS
 - 51. 1/2" RIGID CONDUIT, 2-1/2 AWG CONDUCTORS
 - 52. 1/2" RIGID CONDUIT, 2-1/2 AWG CONDUCTORS
 - 53. 1/2" RIGID CONDUIT, 2-1/2 AWG CONDUCTORS
 - 54. 1/2" RIGID CONDUIT, 2-1/2 AWG CONDUCTORS
 - 55. 1/2" RIGID CONDUIT, 2-1/2 AWG CONDUCTORS
 - 56. 1/2" RIGID CONDUIT, 2-1/2 AWG CONDUCTORS
 - 57. 1/2" RIGID CONDUIT, 2-1/2 AWG CONDUCTORS
 - 58. 1/2" RIGID CONDUIT, 2-1/2 AWG CONDUCTORS
 - 59. 1/2" RIGID CONDUIT, 2-1/2 AWG CONDUCTORS
 - 60. 1/2" RIGID CONDUIT, 2-1/2 AWG CONDUCTORS
 - 61. 1/2" RIGID CONDUIT, 2-1/2 AWG CONDUCTORS
 - 62. 1/2" RIGID CONDUIT, 2-1/2 AWG CONDUCTORS
 - 63. 1/2" RIGID CONDUIT, 2-1/2 AWG CONDUCTORS
 - 64. 1/2" RIGID CONDUIT, 2-1/2 AWG CONDUCTORS
 - 65. 1/2" RIGID CONDUIT, 2-1/2 AWG CONDUCTORS
 - 66. 1/2" RIGID CONDUIT, 2-1/2 AWG CONDUCTORS
 - 67. 1/2" RIGID CONDUIT, 2-1/2 AWG CONDUCTORS
 - 68. 1/2" RIGID CONDUIT, 2-1/2 AWG CONDUCTORS
 - 69. 1/2" RIGID CONDUIT, 2-1/2 AWG CONDUCTORS
 - 70. 1/2" RIGID CONDUIT, 2-1/2 AWG CONDUCTORS
 - 71. 1/2" RIGID CONDUIT, 2-1/2 AWG CONDUCTORS
 - 72. 1/2" RIGID CONDUIT, 2-1/2 AWG CONDUCTORS
 - 73. 1/2" RIGID CONDUIT, 2-1/2 AWG CONDUCTORS
 - 74. 1/2" RIGID CONDUIT, 2-1/2 AWG CONDUCTORS
 - 75. 1/2" RIGID CONDUIT, 2-1/2 AWG CONDUCTORS
 - 76. 1/2" RIGID CONDUIT, 2-1/2 AWG CONDUCTORS
 - 77. 1/2" RIGID CONDUIT, 2-1/2 AWG CONDUCTORS
 - 78. 1/2" RIGID CONDUIT, 2-1/2 AWG CONDUCTORS
 - 79. 1/2" RIGID CONDUIT, 2-1/2 AWG CONDUCTORS
 - 80. 1/2" RIGID CONDUIT, 2-1/2 AWG CONDUCTORS
 - 81. 1/2" RIGID CONDUIT, 2-1/2 AWG CONDUCTORS
 - 82. 1/2" RIGID CONDUIT, 2-1/2 AWG CONDUCTORS
 - 83. 1/2" RIGID CONDUIT, 2-1/2 AWG CONDUCTORS
 - 84. 1/2" RIGID CONDUIT, 2-1/2 AWG CONDUCTORS
 - 85. 1/2" RIGID CONDUIT, 2-1/2 AWG CONDUCTORS
 - 86. 1/2" RIGID CONDUIT, 2-1/2 AWG CONDUCTORS
 - 87. 1/2" RIGID CONDUIT, 2-1/2 AWG CONDUCTORS
 - 88. 1/2" RIGID CONDUIT, 2-1/2 AWG CONDUCTORS
 - 89. 1/2" RIGID CONDUIT, 2-1/2 AWG CONDUCTORS
 - 90. 1/2" RIGID CONDUIT, 2-1/2 AWG CONDUCTORS
 - 91. 1/2" RIGID CONDUIT, 2-1/2 AWG CONDUCTORS
 - 92. 1/2" RIGID CONDUIT, 2-1/2 AWG CONDUCTORS
 - 93. 1/2" RIGID CONDUIT, 2-1/2 AWG CONDUCTORS
 - 94. 1/2" RIGID CONDUIT, 2-1/2 AWG CONDUCTORS
 - 95. 1/2" RIGID CONDUIT, 2-1/2 AWG CONDUCTORS
 - 96. 1/2" RIGID CONDUIT, 2-1/2 AWG CONDUCTORS
 - 97. 1/2" RIGID CONDUIT, 2-1/2 AWG CONDUCTORS
 - 98. 1/2" RIGID CONDUIT, 2-1/2 AWG CONDUCTORS
 - 99. 1/2" RIGID CONDUIT, 2-1/2 AWG CONDUCTORS
 - 100. 1/2" RIGID CONDUIT, 2-1/2 AWG CONDUCTORS



NOTE: FOR EXACT ROUTING OF CONDUIT REFER TO THE FOLLOWING DWGS. 2150.100E002 54, 1, 2 & 3

1153

FIG. NO.	PART NO.	DESCRIPTION	QTY	MATERIAL	CODE IDENT.
LIST OF MATERIAL AND					
DATE ON MACHINED DIMENSIONS		150" STEEL AR.		[WESTERN]	NAVY MACHINERY DIVISION
DRAWN		TELESCOPE			EMMETT, WASHINGTON
CHECKED					
APPROVED					
BASE ASSEMBLY					
ELECTRICAL CONDUIT & WIRE LAYOUT					
(ROUTING & GENERAL LOCATION)					
MATERIAL		WG. N102845			
SIZE		16603		2150.100E002	REV
SCALE		1/4"			LB SHEET OF C