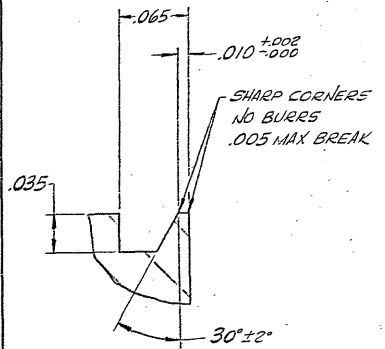
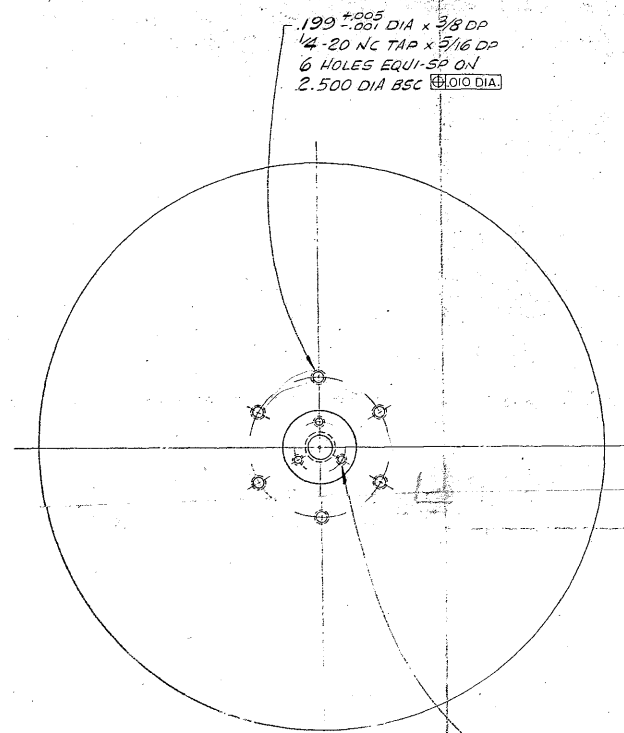


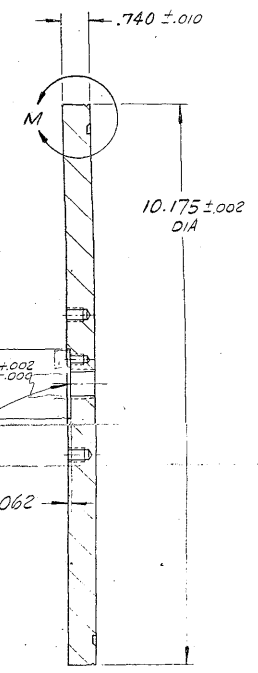
REVISIONS		DATE	APPROVED
ZONE	LTR		
DESCRIPTION			



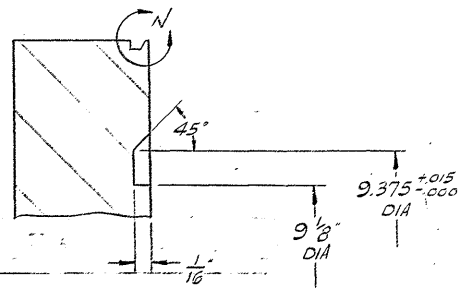
VIEW N
SCALE: 20:1



.199 ^{+.005}/_{-0.001} DIA x 3/8 DP
 1/4-20 NC TAP x 5/16 DP
 6 HOLES EQUI-SP ON
 2.500 DIA BSC $\frac{.010}{.010}$ DIA



^{+.006}/_{-.001}
 .437 DIA THRU
 1/4-18 NPT
 C'SINK 90° TO .56 DIA



VIEW M
SCALE: 5:1

.159 ^{±.005}/_{-0.001} DIA x 5/16 DP
 #10-32 NF TAP x 1/4 DP
 3 HOLES EQUI-SP ON
 .875 DIA BSC $\frac{.010}{.010}$ DIA

REV 1152

UNLESS OTHERWISE SPECIFIED		DRAWN <i>SHIMONE</i> DATE		SEALOL, INC. PROVIDENCE, RI AN <i>TRIP</i> COMPANY
DIMENSIONS ARE IN INCHES UNLESS SHOWN OTHERWISE FRACTIONS IN PLACES SHALL BE 000/1000 DECIMALS IN PLACES SHALL BE .000 ANGLES IN DEGREES		CHECKED <i>W. J. ...</i> DATE		
ALL DIMENSIONS UNLESS OTHERWISE SPECIFIED		PROJ. ENG. DATE		END FITTINGS
0250-100-0306	59186	MAT. <i>AMS57-23 (M-1355)</i>	APPROVAL	SIZE D EDGE IDENT NO 77842 ENG NO 59188
NEXT ASSY	USED ON	PROCESS <i>PH-130</i>		SCALE 1:1 SHEET