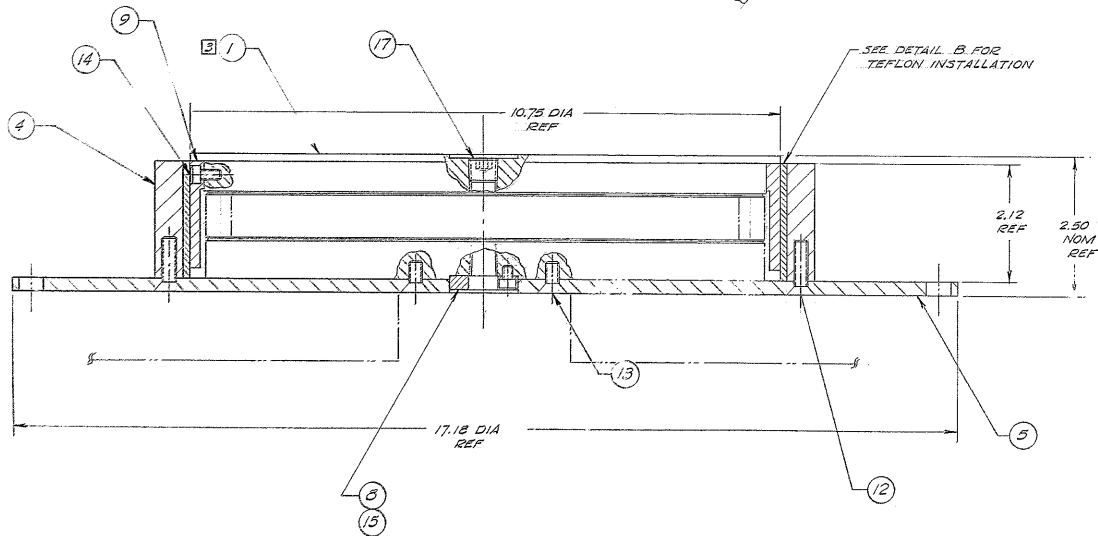
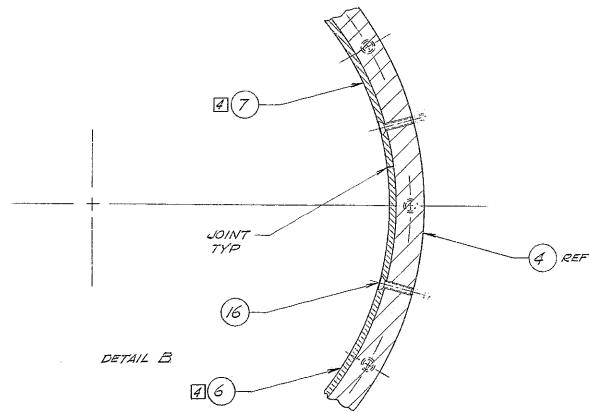


**NOTES: UNLESS OTHERWISE NOTED**

1. REMOVE ALL BURRS AND SHARP EDGES
2. MACHINED SURFACE ROUGHNESS  $125$
3. THIS ASSY PURCHASED FROM:  
SEALOL INC  
WARWICK INDUSTRIAL PARK  
PROVIDENCE R.I. 02909
4. ITEMS 6 & 7 TO BE BONDED TO ITEM 4 BEFORE INSTALLATION OF ITEM 16



REVISIONS					
ZONE	LTR	DESCRIPTION	ECR	DATE	BY APVD

1		1/4 NPT PIPE PLUG, RECESSED TYPE			17
12		#6-32 X 3/8 FL HD MACH SCR			16
3		#10-32 X 1/4 SOC HD CAP SCR			15
3		#10-32 X 3/8 SOC HD CAP SCR			14
6		1/4-20 X 1/8 FL HD MACH SCR			13
12		1/4-20 X 1 FL HD MACH SCR			12
1					11
1					10
1	2150.100-D306	RING-SAFETY			9
1		-B211 BUTTON-LOCATING			8
1		-C207 TEFLON LINER-SHORT			7
1		-C206 TEFLON LINER-LONG			6
1		-D204 MOUNTING PLATE			5
1	2150.100-D203	OUTER RING			4
					3
					2
					1

QTY REQD	PART OR IDENTIFYING NO.	DESCRIPTION	MATERIAL / SPECIFICATION	ZONE	ITEM NO.
1	59196-3/8L0L	COMPENSATOR BELLOWS ASSY			

PARTS LIST					
<b>TOLERANCES UNLESS OTHERWISE NOTED</b> DECIMALS FRACTIONS .XX ± .03 ± — .XXX ± .010 ± — ANGLULAR ± 0° 30'			<b>KITT PEAK NATIONAL OBSERVATORY</b> OPERATED BY THE ASSOCIATION OF UNIVERSITIES FOR RESEARCH IN ASTRONOMY, INC. UNDER CONTRACT WITH NATIONAL SCIENCE FOUNDATION		
NEXT ASSEMBLY 2120-2735		NAME <b>COMPENSATING BELLOWS ASSY-SOUTH JOURNAL</b>		REV 1153	DATE
SCALE 1/1		DWG NO. 2150.100-D307		REV	
DESIGNED BY	CHECKED BY	APPROVED BY	DATE	ISSUED DATE	REV
				2150.100-D307	

FOR KPN0 USE ONLY  
FOR CT10 USE SEE 2150.100-D202