

NOTES: UNLESS OTHERWISE NOTED

1. REMOVE ALL BURRS AND SHARP EDGES

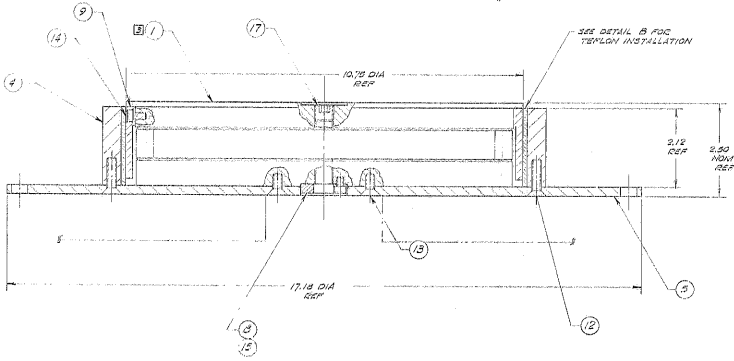
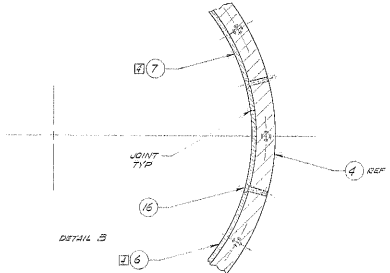
2. MACHINED SURFACE ROUGHNESS $R_{a} = 1.6$

3. THIS ASSY PURCHASED FROM:

SEALOL INC
WINDYCH INDUSTRIAL PARK
PROVIDENCE R.I. 02908

4. ITEMS 6 & 7 TO BE BOLDED TO ITEM 4
BEFORE INSTALLATION OF ITEM 16

REVISIONS					
ZONE	LTR	DESCRIPTION	QTY	DATE	BY
		DATA HD WIND 2,100,000 3 DOT			
		DATA WAS 2,100,000		2990	04-24 JAL
		REVISOR 4 RGR/DMH			



QTY	ITEM NO	DESCRIPTION	ZONE	ITEM NO
1	1	1/2 NPT PIPE PLUG, DECESSED TYP	17	17
1	2	5-32 X 3/8 PL HD MACH SCS	18	18
1	3	1/2-32 X 1/4 SOC HD CAP SCS	19	19
1	4	1/2-32 X 3/8 SOC HD CAP SCS	14	14
1	5	1/2-20 X 1/8 PL HD MACH SCS	15	15
1	6	1/2-20 X 1/8 PL HD MACH SCS	12	12
1	7	1/2-20 X 1/8 PL HD MACH SCS	11	11
1	8	1/2-20 X 1/8 PL HD MACH SCS	10	10
1	9	1/2-20 X 1/8 PL HD MACH SCS	9	9
1	10	1/2-20 X 1/8 PL HD MACH SCS	8	8
1	11	1/2-20 X 1/8 PL HD MACH SCS	7	7
1	12	1/2-20 X 1/8 PL HD MACH SCS	6	6
1	13	1/2-20 X 1/8 PL HD MACH SCS	5	5
1	14	1/2-20 X 1/8 PL HD MACH SCS	4	4
1	15	1/2-20 X 1/8 PL HD MACH SCS	3	3
1	16	1/2-20 X 1/8 PL HD MACH SCS	2	2
1	17	1/2-20 X 1/8 PL HD MACH SCS	1	1

QTY	ITEM NO	DESCRIPTION	ZONE	ITEM NO
1	1	1/2 NPT PIPE PLUG, DECESSED TYP	17	17
1	2	5-32 X 3/8 PL HD MACH SCS	18	18
1	3	1/2-32 X 1/4 SOC HD CAP SCS	19	19
1	4	1/2-32 X 3/8 SOC HD CAP SCS	14	14
1	5	1/2-20 X 1/8 PL HD MACH SCS	15	15
1	6	1/2-20 X 1/8 PL HD MACH SCS	12	12
1	7	1/2-20 X 1/8 PL HD MACH SCS	11	11
1	8	1/2-20 X 1/8 PL HD MACH SCS	10	10
1	9	1/2-20 X 1/8 PL HD MACH SCS	9	9
1	10	1/2-20 X 1/8 PL HD MACH SCS	8	8
1	11	1/2-20 X 1/8 PL HD MACH SCS	7	7
1	12	1/2-20 X 1/8 PL HD MACH SCS	6	6
1	13	1/2-20 X 1/8 PL HD MACH SCS	5	5
1	14	1/2-20 X 1/8 PL HD MACH SCS	4	4
1	15	1/2-20 X 1/8 PL HD MACH SCS	3	3
1	16	1/2-20 X 1/8 PL HD MACH SCS	2	2
1	17	1/2-20 X 1/8 PL HD MACH SCS	1	1

PARTS LIST		ZONE	ITEM NO
1	1	17	17
1	2	18	18
1	3	19	19
1	4	14	14
1	5	15	15
1	6	12	12
1	7	11	11
1	8	10	10
1	9	9	9
1	10	8	8
1	11	7	7
1	12	6	6
1	13	5	5
1	14	4	4
1	15	3	3
1	16	2	2
1	17	1	1

TOLERANCES
UNLESS OTHERWISE NOTED
DIMENSIONS - FRACTIONS
ANGULAR - D.D. 30'

KITT PEAK NATIONAL OBSERVATORY
ASSOCIATION OF UNIVERSITIES FOR RESEARCH IN ASTRONOMY, INC.
NATIONAL SCIENCE FOUNDATION

NAME: COMPENSATING BELLOWS ASSY - SOUTH JOURNAL
REV: 11.53

SCALE: 1/2" = 1"

DATE: 11/53

QTY: 1

ZONE: E

FOR HAND USE ONLY
FOR QTY USE SEE BUSHING Q202