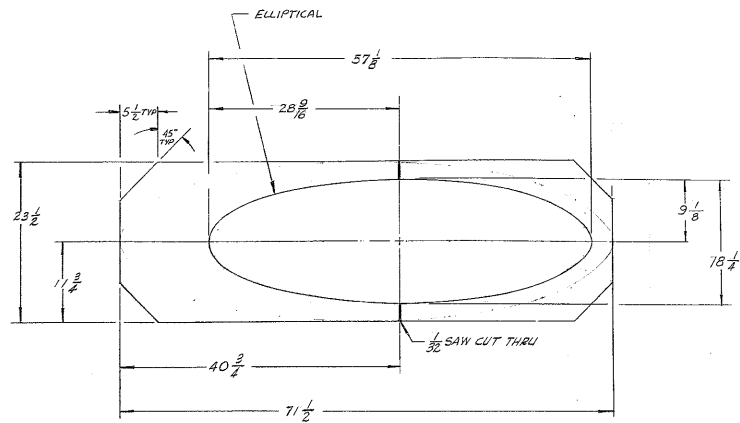
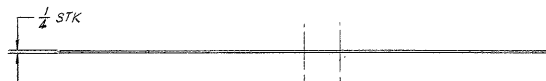


ZONE		LTR		REVISIONS		DATE	APPROVED
-	1	A		REL TO MFG		1999/11	



NOTES.

- ALL DIMENSIONS ARE IN INCHES.
- FAB. TOL. EXCEPT AS NOTED.
UP TO 10 INCHES $\pm 1/16$
UP TO 50 INCHES $\pm 1/8$
50 INCHES AND OVER $\pm 1/4$
- STAMP PT NO. 2150.100D015
- APPLY ONE COAT OF PRIME PAINT ALL OVER
PER WGC SPEC 511



NEXT ASSY 2150.100E002 WGN 102845
2150.101E002 WGN 102846

1153

WESTERN GEAR CORPORATION
CONSTRUCTION PROJECTS
DEPARTMENT
APPROVED FOR
PROCUREMENT
DATE 11/2/62

FIND NO.	PART NO.	DESCRIPTION	QTY	MATERIAL	CODE	LOCN
LIST OF MATERIAL (LM)						
LIMITS ON MACHINED DIMENSIONS EXCEPT AS NOTED		HEAVY MACHINERY DIVISION EVERETT, WASHINGTON				
ANGULAR $\pm 1^\circ$		WESTERN GEAR CORPORATION				
LINEAR		MAIN FLOOR SEAL R				
X $\pm .1$.005 $\pm .010$		DRAWN JCB		BASE ASSY		
XX $\pm .02$ FRACTIONAL $\pm 1/32$		CHECK CH				
BREAK ALL SHARP EDGES		ENGR				
MATERIAL		WGE 107823		SIZE CODE IDENT NO.		
ST R ASTM A-7 02.60		APPROVED		D 16603 2150.100D015		REV A
7 1/2 x 1/4 x 23 1/2				SCALE 1/2" = 1"		WT 112 LB SHEET 1 OF 1