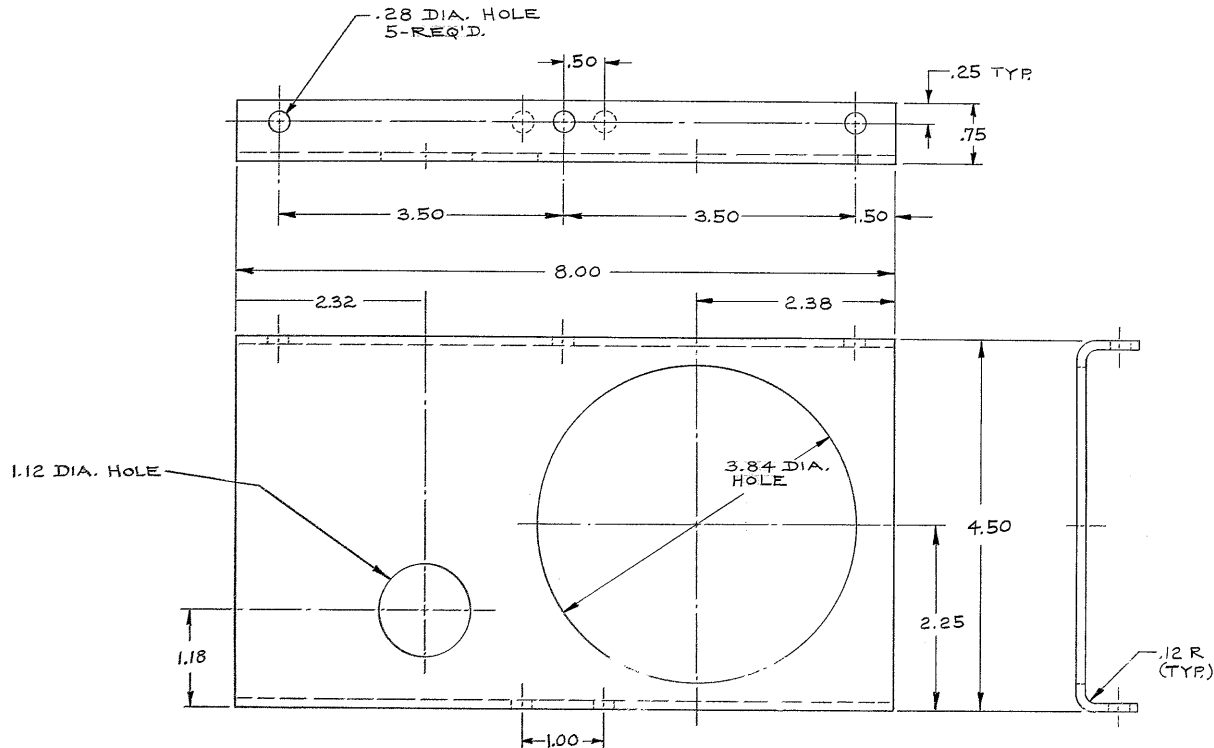


# BILL OF MATERIAL

ITEM	QTY	MATERIAL	DESCRIPTION	WEIGHT
------	-----	----------	-------------	--------



MAT'L. 12 GA. STEEL  
1-REQ'D.  
FINISH: PRIME COAT

FOR ASSEMBLY SEE 2150.100-D 302

TOLERANCES UNLESS OTHERWISE NOTED				KITT PEAK NATIONAL OBSERVATORY			
DECIMAL DIMENSIONS				OPERATED BY THE ASSOCIATION OF UNIVERSITIES FOR RESEARCH IN ASTRONOMY, INC.			
00.00 ± .010				UNDER CONTRACT WITH NATIONAL SCIENCE FOUNDATION			
50.000 ± .005				REF. FILE 1153			
FRACTIONAL DIMENSIONS				150 INCH STELLAR TELESCOPE COMPENSATING BELLOWS OIL PRESSURE CONTROL ASSEMBLY			
UP TO 18" ± 1/64				DRAWN BY DATE APPROVED BY DATE			
18" TO 50" ± 1/32				DATE APPROVED BY DATE			
50" & OVER ± 1/16				DATE APPROVED BY DATE			
BREAK SHARP EDGES				SCALE FULL			
ALL SURFACES TO HAVE FINISH UNLESS OTHERWISE NOTED.				PRINT ISSUED			
DRAWN BY DATE APPROVED BY DATE				DRAWING NUMBER			
DATE APPROVED BY DATE				REV.			
DW'g. No. WAS 2150.130-C304 0457 4-29-70				2150.100-C304 A			
LET.	REVISION	ECR	DATE	BY	DATE	BY	DATE