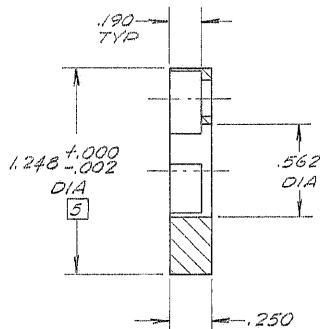
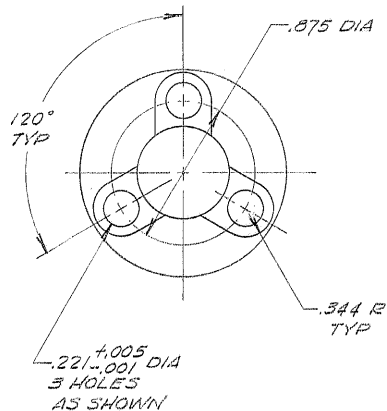


NOTES: UNLESS OTHERWISE NOTED

1. REMOVE ALL BURRS AND SHARP EDGES $.010$ R MAX
2. MACHINED SURFACE ROUGHNESS 125
3. MATERIAL: STEEL, C-1018, COND CF
4. FINISH: CADMIUM PLATE PER QQP-416, TYPE 2, CLASS 1
5. DIMENSIONS APPLY AFTER PLATING

REVISIONS				
LTR	DESCRIPTION	ECR	DATE	BY/APVD
A	N/A WAS 2150.100D307	3380	8-4-74	JH



TOLERANCES UNLESS OTHERWISE NOTED				KITT PEAK NATIONAL OBSERVATORY			
DECIMALS	FRACTIONS	ANGULAR		OPERATED BY THE ASSOCIATION OF UNIVERSITIES FOR RESEARCH IN ASTRONOMY, INC.			
.XX $\pm .03$	\pm	$\pm 0^\circ 30'$		UNDER CONTRACT WITH NATIONAL SCIENCE FOUNDATION			
NEXT ASSEMBLY 2150.100-0202		NAME BUTTON-LOCATING, BELLOWS ASSY		REF FILE 1153			
SCALE 2/1	DESIGNED BY S. H. H. T. J.	DATE 12-1-75	APPROVED BY A. G. H.	DATE 1-8-77	DWG NO. 2150.100-B211	REV A	
PRINT ISSUED	DRAWN BY S. H. H. T. J.	DATE 12-1-75	APPROVED BY	DATE	RELEASE DATE 4-19-77		
	CHECKED BY	DATE	APPROVED BY	DATE 11-2-77	RELEASE DATE		