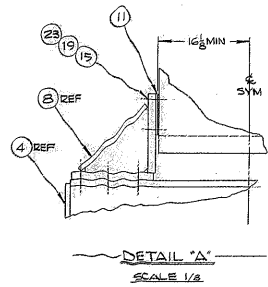
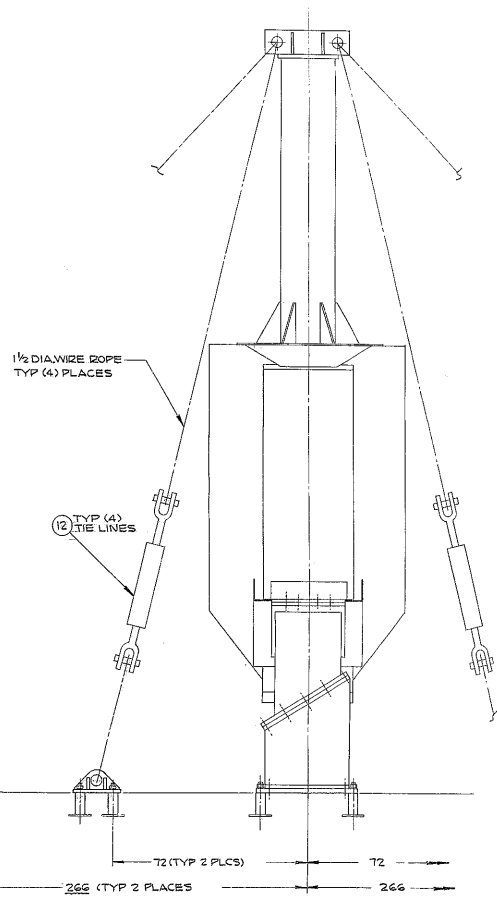
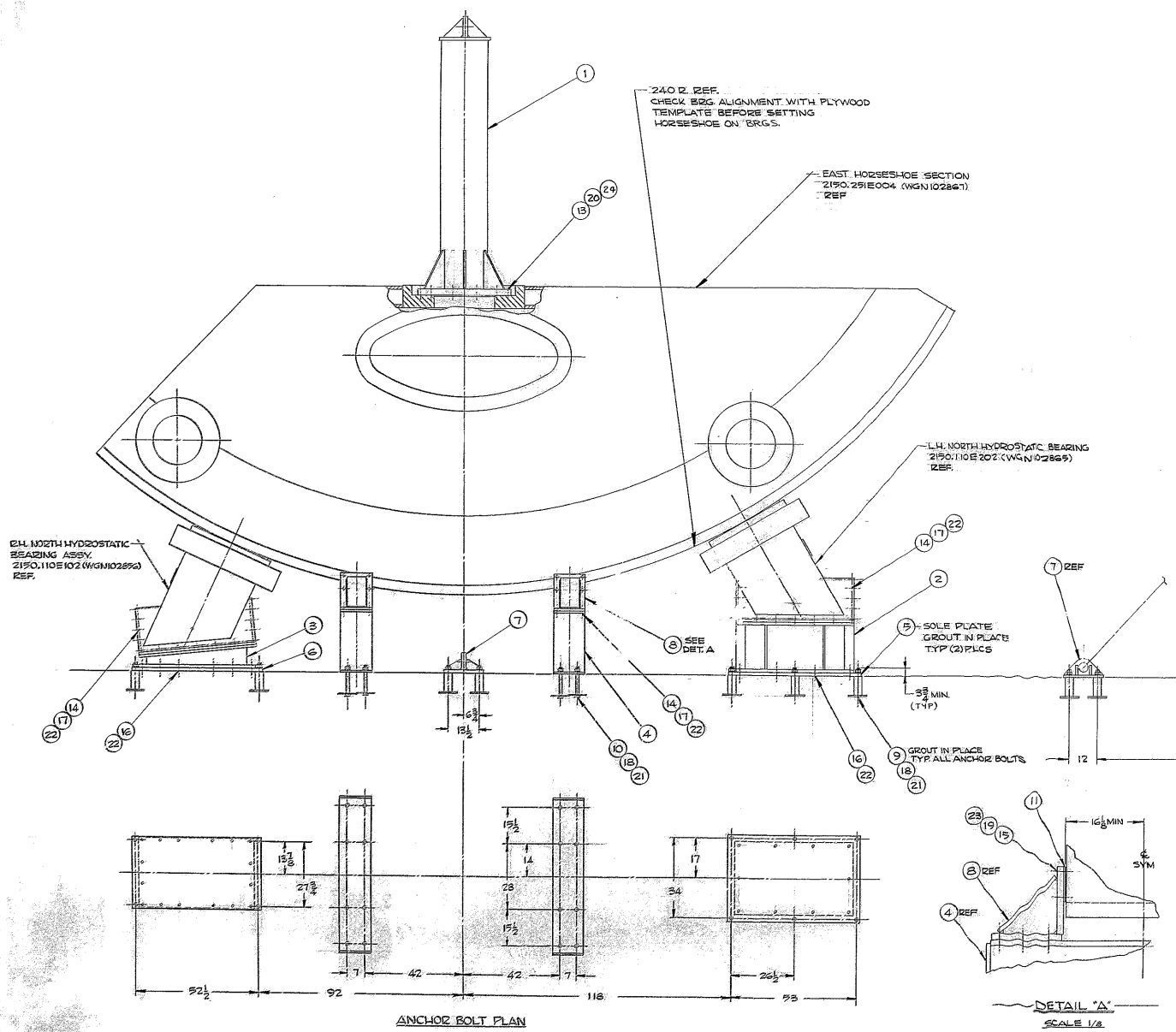


THIS DOCUMENT CONTAINS INFORMATION PROPRIETARY TO WESTERN
 ENGINEERING. ALL RIGHTS RESERVED. REPRODUCTION
 OR TRANSMISSION IN ANY FORM OR BY ANY MEANS, ELECTRONIC OR MECHANICAL, INCLUDING PHOTOCOPYING, RECORDING, OR BY ANY INFORMATION STORAGE AND RETRIEVAL SYSTEM, IS PROHIBITED WITHOUT THE WRITTEN PERMISSION OF WESTERN ENGINEERING. THIS DOCUMENT IS ISSUED FOR REFERENCE PURPOSES ONLY AND SHALL NOT BE USED TO CONSTRUCT OR TO MANUFACTURE WITHOUT THE WRITTEN PERMISSION OF WESTERN ENGINEERING. WESTERN ENGINEERING SHALL NOT BE RESPONSIBLE FOR ANY DAMAGE TO PERSONS OR PROPERTY CAUSED BY THE USE OF THIS DOCUMENT IN ANY MANNER.

REVISIONS				
ZONE	LN	DESCRIPTION	DATE	APPROVED
A		DWG NO WAS E 300784	5/24/73	JVV



SEE P/L E 300783

1152

FIG. NO.	PART NO.	DESCRIPTION	QTY	MATERIAL	COST
LIST OF MATERIAL (LM)					
UNITS ON HATCHED DIMENSIONS EXCEPT AS NOTED					
DRAWN: V.P./S.E. (2-19-73)					
CHECKED: J.V.V. (2-19-73)					
SCALE: AS SHOWN					
MATERIAL: WESTERN ENGINEERING					
NORTH HYDROSTATIC BEARING TEST ASSEMBLY TEST #004-B					
WGES00783		SIZE: CODE 98170		BY: JVV	
APPROVED:		E 16603		2190.005E 2172 A	
SCALE: 1/4" = 1" WT					