

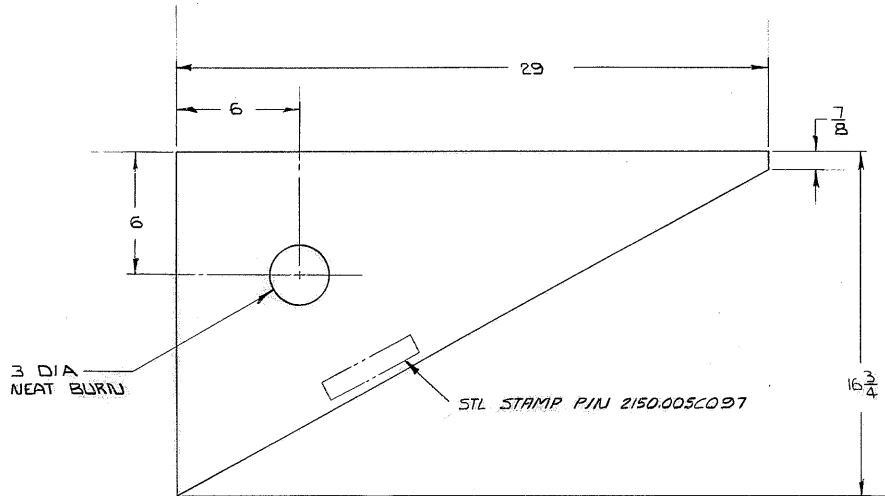
4

3

2

1

REVISIONS				
ZONE	LTR	DESCRIPTION	DATE	APPROVED



NEXT ASSY 2150.005E106

REF. FILE 1152

FIND NO.	PART NO.	DESCRIPTION	QTY	MATERIAL	CODE IDENT
LIST OF MATERIAL (LM)					
LIMITS ON MACHINED DIMENSIONS EXCEPT AS NOTED ANGULAR = ± 1° 0'		DRAWN CHECK		WESTERN GEAR CORPORATION HEAVY MACHINERY DIVISION EVERETT, WASHINGTON	
LINEAR: X = ± .1 .XXX = ± .010 .XX = ± .03 FRACTIONAL = ± 1/32					
BREAK ALL SHARP EDGES		ENGR SKILES 10-14-72		LIFTING LUG WEST HORSESHOE SECTION	
MATERIAL STL - ASTM A-36 2 x 16 ³ / ₄ x 29		WG D 107567		SIZE C	CODE IDENT NO. 2150.005C097
APPROVED		SCALE 1/4		WT 1SD	LB SHEET OF