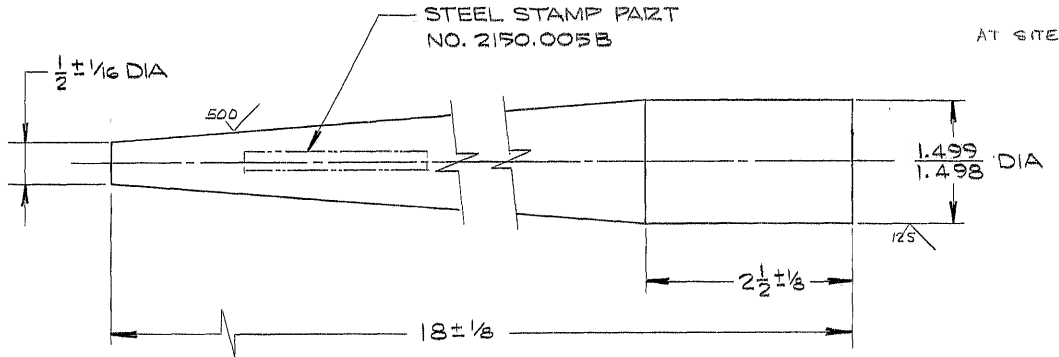


THIS DOCUMENT CONTAINS INFORMATION PROPRIETARY TO WESTERN GEAR CORPORATION. ALL DESIGN, MANUFACTURING, REPRODUCTION, USE, PATENT, AND SALES RIGHTS REGARDING THE SAME ARE HEREBY EXPRESSLY RESERVED BY WESTERN GEAR CORPORATION. THIS DOCUMENT IS SUBMITTED FOR REFERENCE PURPOSES ONLY AND SHALL NOT BE DISCLOSED TO ANY UNAUTHORIZED PERSON OR INCORPORATED INTO ANY OTHER PROJECT.

REVISIONS				
ZONE	LTR	DESCRIPTION	DATE	APPROVED



NOTES:
1. MATL - STEEL, AISI 1018 OR 4140

REF. FILE: 1152

LIMITS ON MACHINED DIMENSIONS EXCEPT AS NOTED ANGULAR = 1° 0' LINEAR X = ± .1 XX = ± .08 XXX = ± .010 FRACTIONAL = 1/32 BREAK ALL SHARP EDGES	DRAWN <i>White 7/23/71</i>		WESTERN GEAR CORPORATION		HEAVY MACHINERY DIVISION EVERETT, WASHINGTON
	CHECK		PIN, HORSESHOE ASSY SITE ERECTION		
	ENGR <i>SKILES</i>		SIZE	CODE IDENT NO.	REV
	WGB302935 APPROVED		B	16603	2150.005B281
		SCALE 1/1	WT.	LB	SHEET 1 OF