

THIS DOCUMENT CONTAINS INFORMATION PROPRIETARY TO WESTERN GEAR CORPORATION. ALL DESIGN, MANUFACTURING, REPRODUCTION, USE, PATENT, AND SALES RIGHTS REGARDING THE SAME ARE HEREBY EXPRESSLY RESERVED BY WESTERN GEAR CORPORATION. THIS DOCUMENT IS SUBMITTED FOR REFERENCE PURPOSES ONLY AND SHALL NOT BE DISCLOSED TO ANY UNAUTHORIZED PERSON OR INCORPORATED INTO ANY OTHER PROJECT.

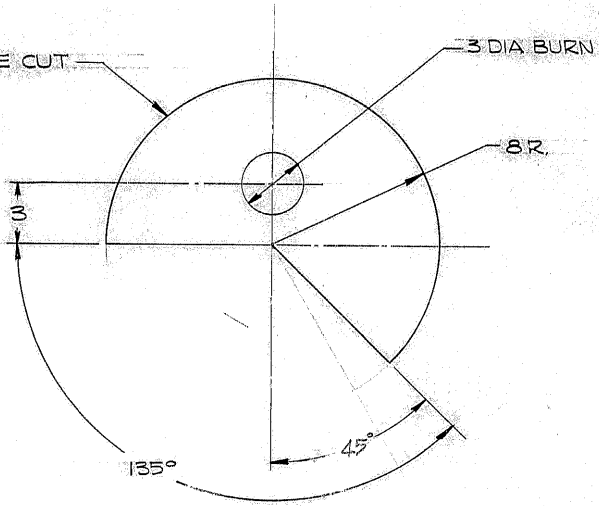
REVISIONS				
ZONE	LTR	DESCRIPTION	DATE	APPROVED
	A	REDRAWN	3-5-71	JW

D

C

B

A



NOTES:

1. MAT'L-ASTM A36, STL, 2 1/2" x 12 x 16
2. STL. STAMP P/N 2150.005B115

WELDED TO HORSE SHOE

REF. FILE 1152

NEXT ASSY: 2150.005E107 (WGE300704)

LIMITS ON MACHINED DIMENSIONS EXCEPT AS NOTED ANGULAR = 1° 0' LINEAR X = ± .1 XX = ± .03 XXX = ± .010 FRACTIONAL = 1/32 BREAK ALL SHARP EDGES	DRAWN White 3/5/71 CHECK ENGR	<b>WESTERN</b> GEAR CORPORATION HEAVY MACHINERY DIVISION EVERETT, WASHINGTON
	WGC112731 APPROVED	LIFTING LUG LOWER HORSESHOE
	SIZE B CODE IDENT NO. 16603 SCALE 1/4	2150.005B115 WT. LB SHEET OF
	REV A	

D

C

B

A