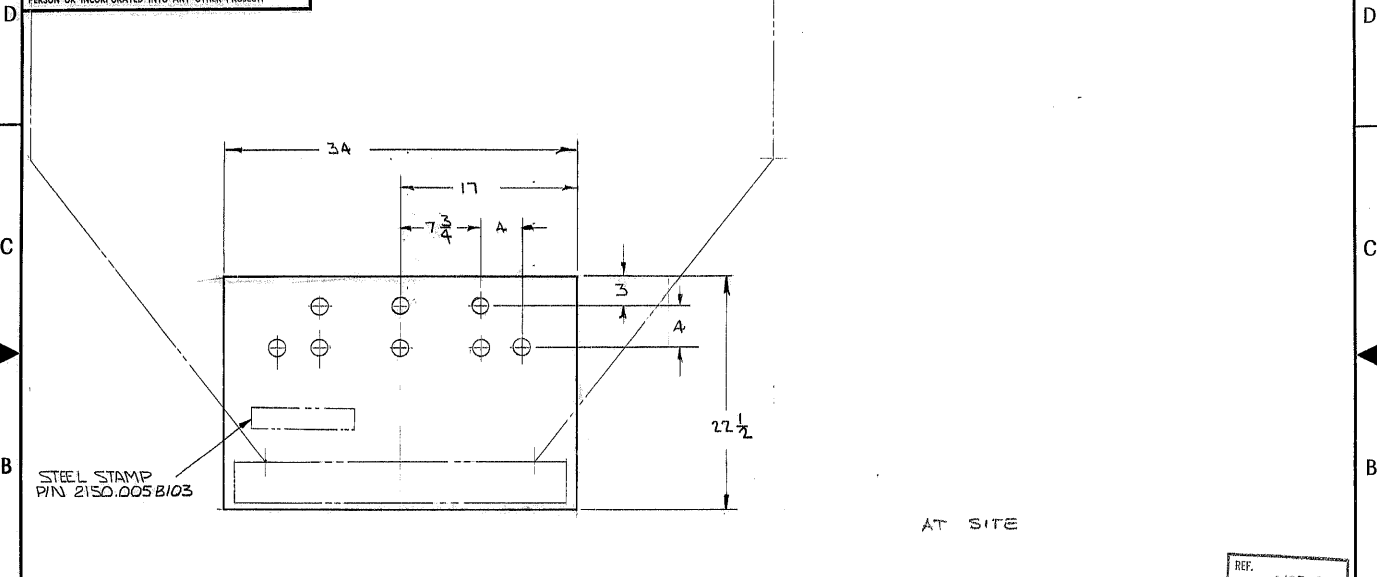


THIS DOCUMENT CONTAINS INFORMATION PROPRIETARY TO WESTERN GEAR CORPORATION. ALL DESIGN, MANUFACTURING, REPRODUCTION, USE, PATENT, AND SALES RIGHTS REGARDING THE SAME ARE HEREBY EXPRESSLY RESERVED BY WESTERN GEAR CORPORATION. THIS DOCUMENT IS SUBMITTED FOR REFERENCE PURPOSES ONLY AND SHALL NOT BE DISCLOSED TO ANY UNAUTHORIZED PERSON OR INCORPORATED INTO ANY OTHER PROJECT.

REVISIONS				
ZONE	LTR	DESCRIPTION	DATE	APPROVED



AT SITE

REF. FILE 1152

NEXT ASSY 2150.005 E107

LIMITS ON MACHINED DIMENSIONS EXCEPT AS NOTED ANGULAR $\pm 1^\circ 0'$ LINEAR X $\pm .1$ XX $\pm .03$ XXX $\pm .010$ FRACTIONAL $\pm 1/32$ BREAK ALL SHARP EDGES	STL - ASTM A30 2 x 22 1/2 x 34	<b>WESTERN</b> HEAVY MACHINERY DIVISION GEAR CORPORATION EVERETT, WASHINGTON	
	DRAWN	FACE PLATE	
	CHECK	LOWER HORSE SHOE	
	ENGR SKILES	SECTION	
APPROVED WG-C112380	SIZE B CODE 16603	IDENT NO. 2150.005 B103	REV
SCALE 1/3	WT. 430 LB	SHEET 1 OF 1	