

5

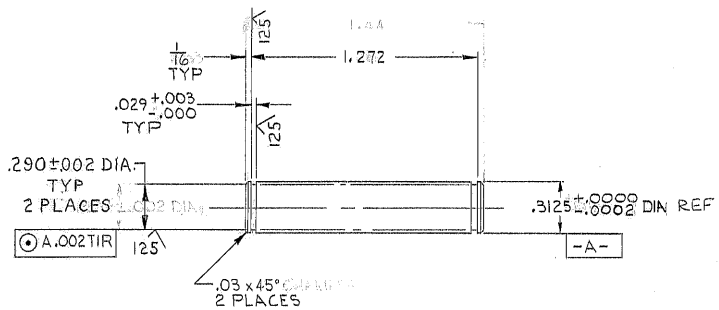
4

3

2

1

REVISIONS				
ZONE	LTR	DESCRIPTION	DATE	APPROVED
	A	REVISED PER AURA APPROVED CONST PRINT	5-2-68	
	B	ADDED 2150.111E102	4-3-78	LDS



NOTES:

- ALL DIMENSIONS ARE IN INCHES.
- MAT'L : 5/16 DIA-NO.303 STAINLESS STEEL PRECISION GROUND SHAFTING, PIC NO. A8-12.
- TAG WITH PART NO. 2150.005B 039

2150.111E102
 2150.130E202 W.G.N102918
 2150.130E102 W.G.N102917
 2150.120E202 W.G.N102864
 2150.120E102 W.G.N102860
 2150.110E202 W.G.N102856
 2150.110E102 (W.G.N102865)

REF. FILE 1152

NEXT ASSY

WESTERN GEAR CORPORATION
 CONSTRUCTION PROJECTS
 DEPARTMENT L SPEC
APPROVED FOR PROCUREMENT
 J.P. DATE 5/1/68

LIMITS ON MACHINED DIMENSIONS EXCEPT AS NOTED
 ANGULAR ± 1° 0'
 LINEAR
 X = ± .1
 XX = ± .03
 XXX = ± .010
 FRACTIONAL ± 1/32
 BREAK ALL SHARP EDGES

150 IN. STELLAR TELESCOPE MTG
 DRAWN R. ORR
 CHECK J. Micalop
 ENGR
 W.G.C112 357
 APPROVED

Western GEAR CORPORATION HEAVY MACHINERY DIVISION EVERETT, WASHINGTON
 PIN/SWITCH HYDROSTATIC BEARING
 SIZE B CODE INCH NO. 2150.005B 039 REV B
 SCALE 2/1 WT. .1 LB SHEET 1 OF 1