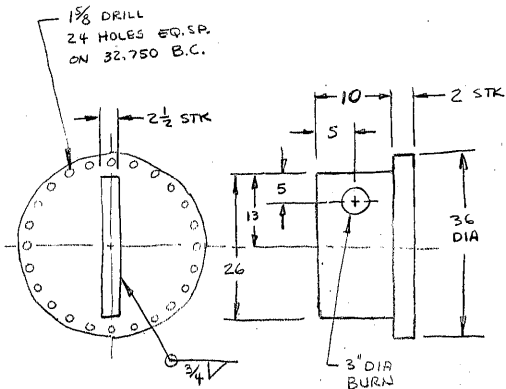


REVISIONS

SYM	DESCRIPTION	DATE	APPROVED
-----	-------------	------	----------



MATL: STL ASTM A-36
BURN ALL OVER
2 REQD

REF. FILE 1152



NEW ASSY 2150.005.A093

CONTRACT NO

SPEC CONTROL

DRAWN GR 8/20/70

CHECK

ENGR.

APPROVED

APPROVED

453-2310

Western
GEAR CORPORATION

ADVANCED SYSTEMS DIVISION
EVERETT, WASHINGTON

PAD, LIFTING -

E & W HORSESHOE SECTION

CODE IDENT NO.

30508

SIZE

A

2150.005.A092

REV.

SCALE NTS

WT.

SHEET 1 OF 1