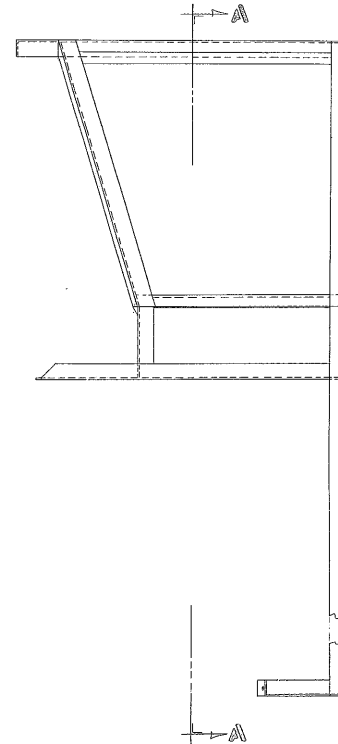
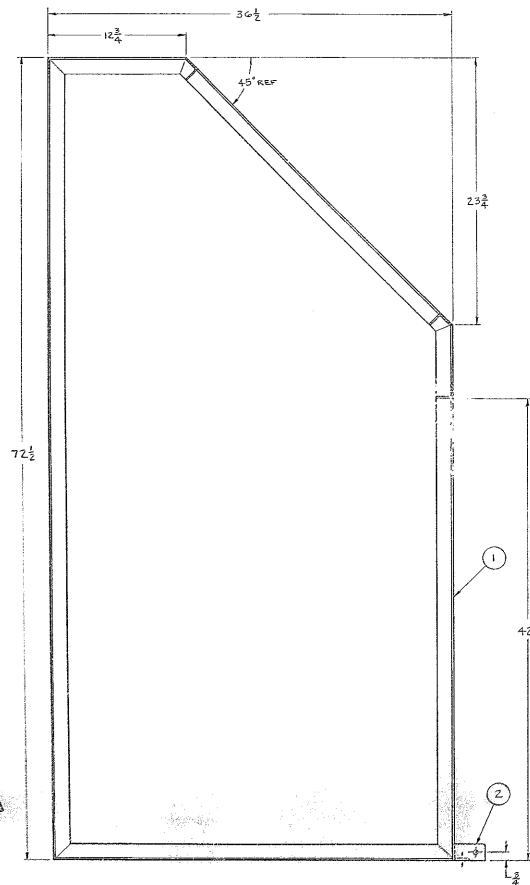
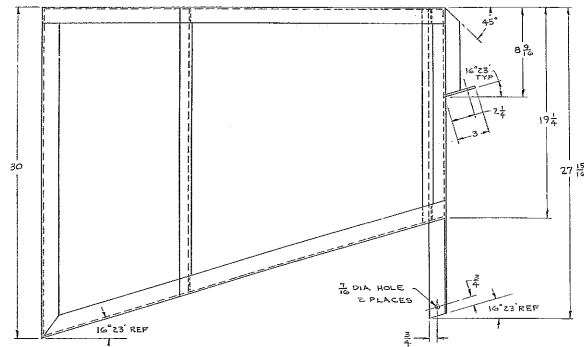


BILL OF MATERIAL					
ITEM	QTY	MATERIAL	DESCRIPTION	UNIT	QTY
1	2	STEEL	1/2" X 1 1/2" X 3/8"	ANGLE	40.0
2	1	STEEL	1/2" X 1 1/2" X 3/8"	PLATE	2.0



3 FINISH WITH TWO COATS RED OXIDE PRIMER
 & ALL JOINTS 100% WELD
 4 SURFAX SHARP EDGES $\sqrt{1/2}$
 4 IDENTIFY BY _____ AT LOCATION _____ FROM THE MIDDLE OF USA
 5 DETAIL-WELDING BEHIND OR BEHIND MOUNTING PARTS WHEN NECESSARY
 6 PROJECT-DRAWINGS
 7 FOR NEXT ASSY. SEE 2150.014 & 003

NOTES:
KITT PEAK NATIONAL OBSERVATORY
 ASSOCIATION OF UNIVERSITIES FOR RESEARCH IN ASTRONOMY, INC.
 NATIONAL SCIENCE FOUNDATION
 150" STELLAR TELESCOPE
 NAME UPPER FRAME - COVER, SOUTH, DEC DRIVE GEAR
 SCALE 1/2"
 PART NUMBER 2150.004E023

TOLERANCES UNLESS OTHERWISE SPECIFIED	
FRAC TIONAL DIMENSIONS	UP TO 2 1/2" .0005
DECIMAL DIMENSIONS	UP TO 2 1/2" .0005
ALL DIMENSIONS	TO HOLE .0005
ALL DIMENSIONS	EXCEPT AS NOTED