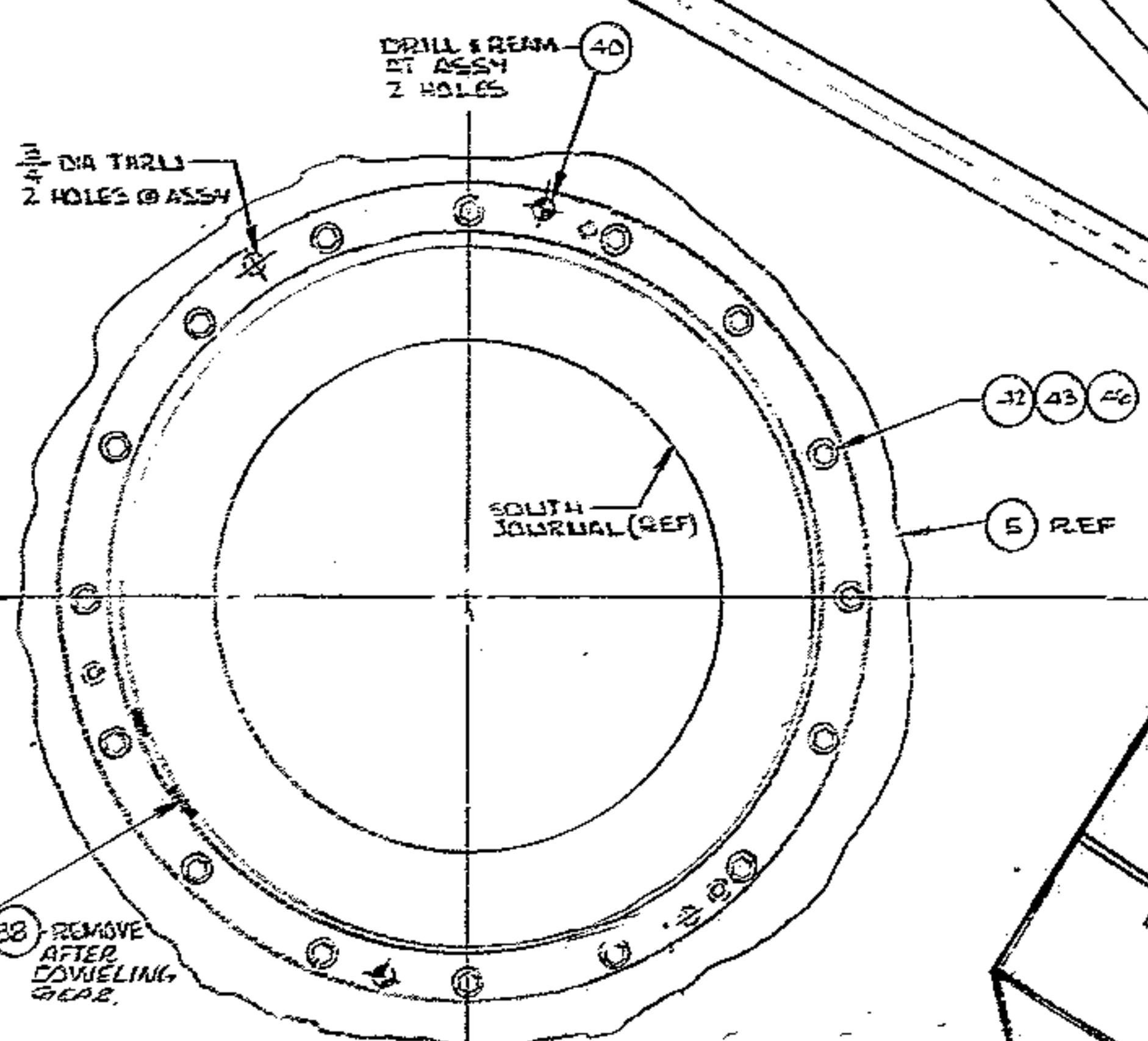
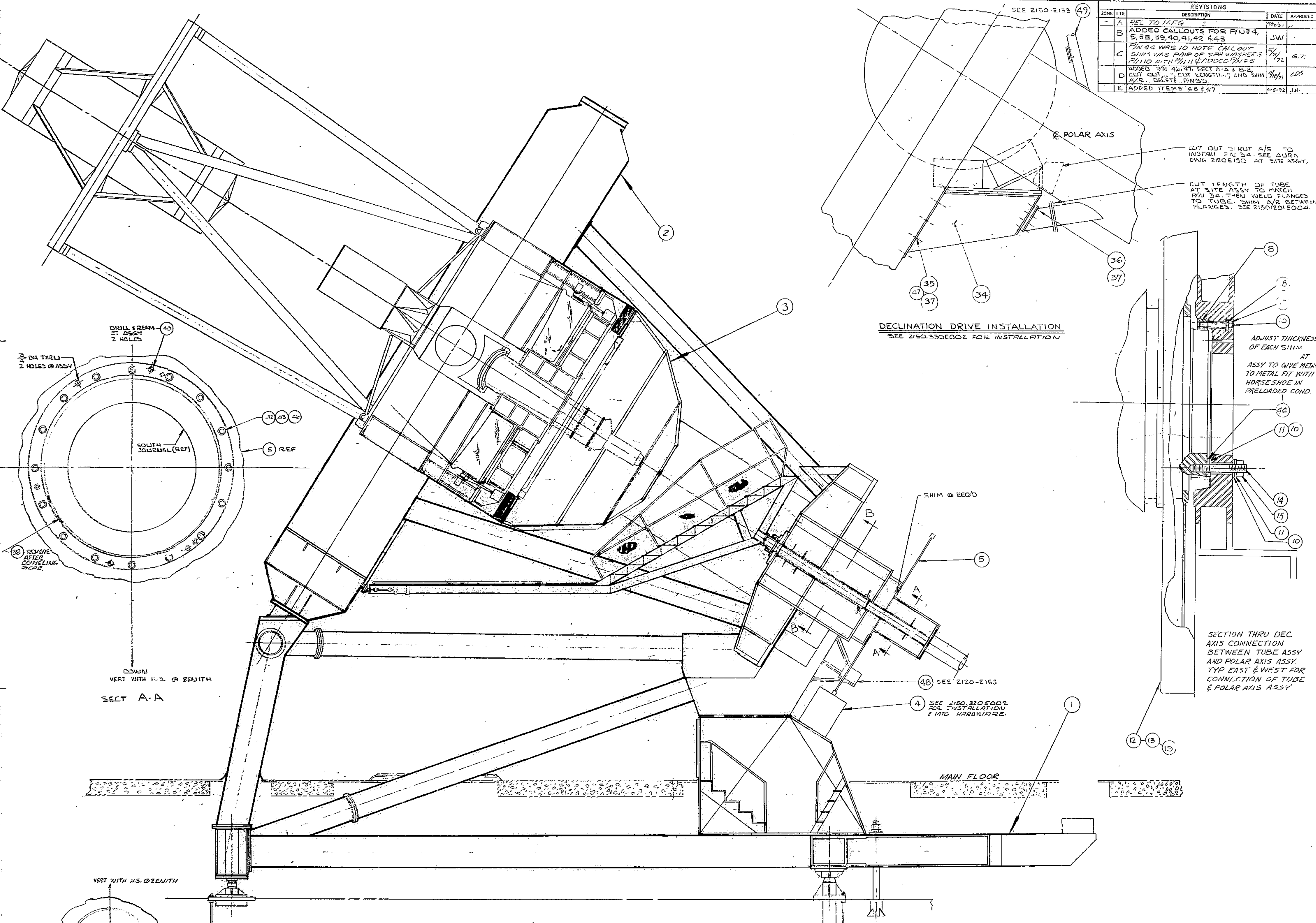
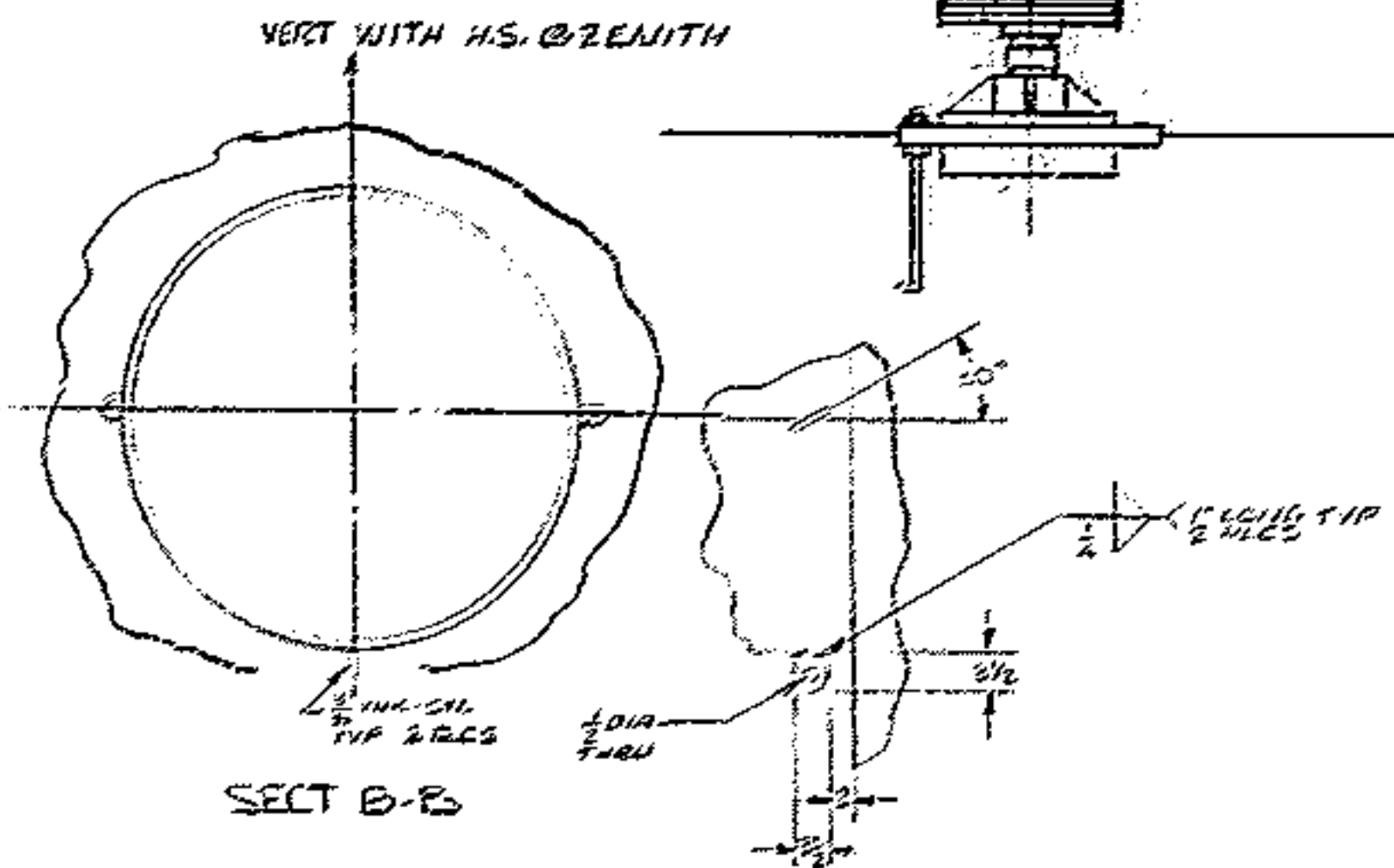


| REVISIONS | | | | |
|-----------|-----|---|----------|----------|
| ZONE | LTR | DESCRIPTION | DATE | APPROVED |
| A | | REL TO MFG | 11/22/67 | |
| B | | ADDED CALLOUTS FOR P/N 34, 35, 38, 39, 40, 41, 42 & 43 | | JW |
| C | | P/N 44 WAS 10 NOTE CALLOUT SHIM WAS PAIR OF SPR WASHERS P/N 10 WITH P/N 11 & ADDED P/N 5 | 7/2/72 | G.T. |
| D | | ADDED P/N 46, 47, SECT A-A & B-B CUT OUT STRUT A/R, CUT LENGTH... AND SHIM A/R. DELETE P/N 33 | 7/10/73 | LDS |
| E | | ADDED ITEMS 48 & 49 | 6-5-72 | J.H. |



DOWN
VERT WITH H.S. @ ZENITH
SECT A-A



WESTERN GEAR CORPORATION
CONSTRUCTION PROJECTS
DEPARTMENT
APPROVED FOR
PROCUREMENT
DATE 10/29/69

LIMITS ON MACHINED DIMENSIONS EXCEPT AS NOTED
ANGULAR = ± 14"
LINEAR:
X = ± .1 XXX = ± .010
XX = ± .03 FRACTIONAL = ± 1/32
BREAK ALL SHARP EDGES

150 STELLAR
TELESCOPE MOUNTING ASSY

W.G. N 102851
APPROVED

WESTERN GEAR CORPORATION
HEAVY MACHINERY DIVISION
EVERETT, WASHINGTON

KP.N.O.
TELESCOPE MOUNTING ASSY

SIZE CODE IDENT NO. REV
E 16603 2150.004E002 E

SCALE: 1" = 1" WT LB SHEET 7 OF 7

Z. BASSON A