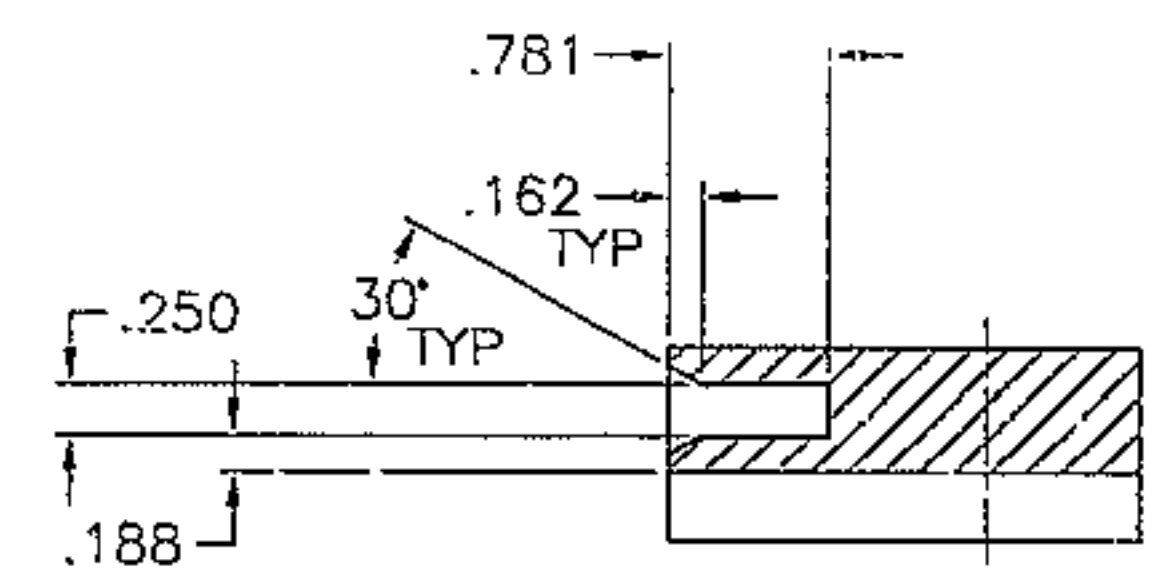
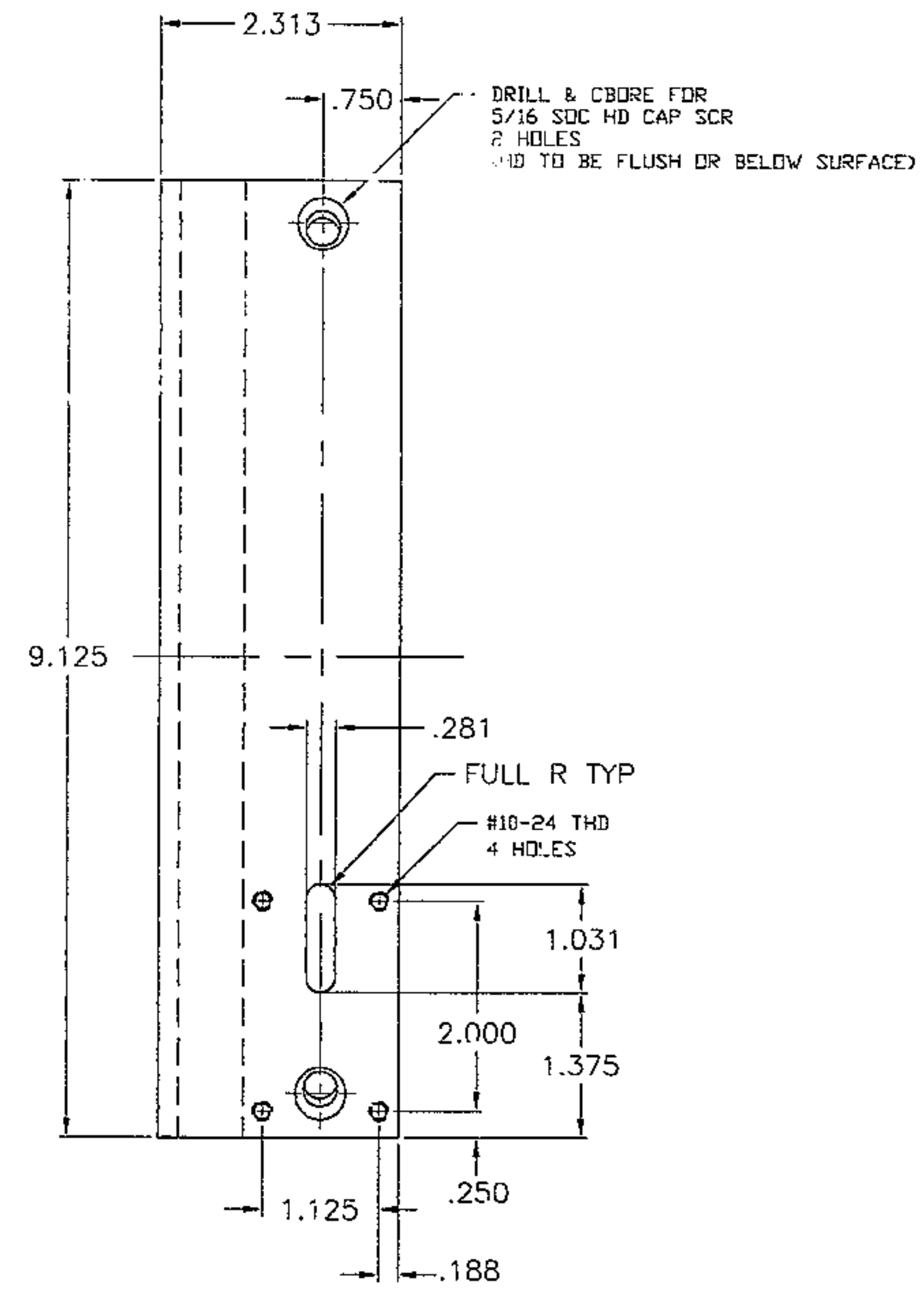
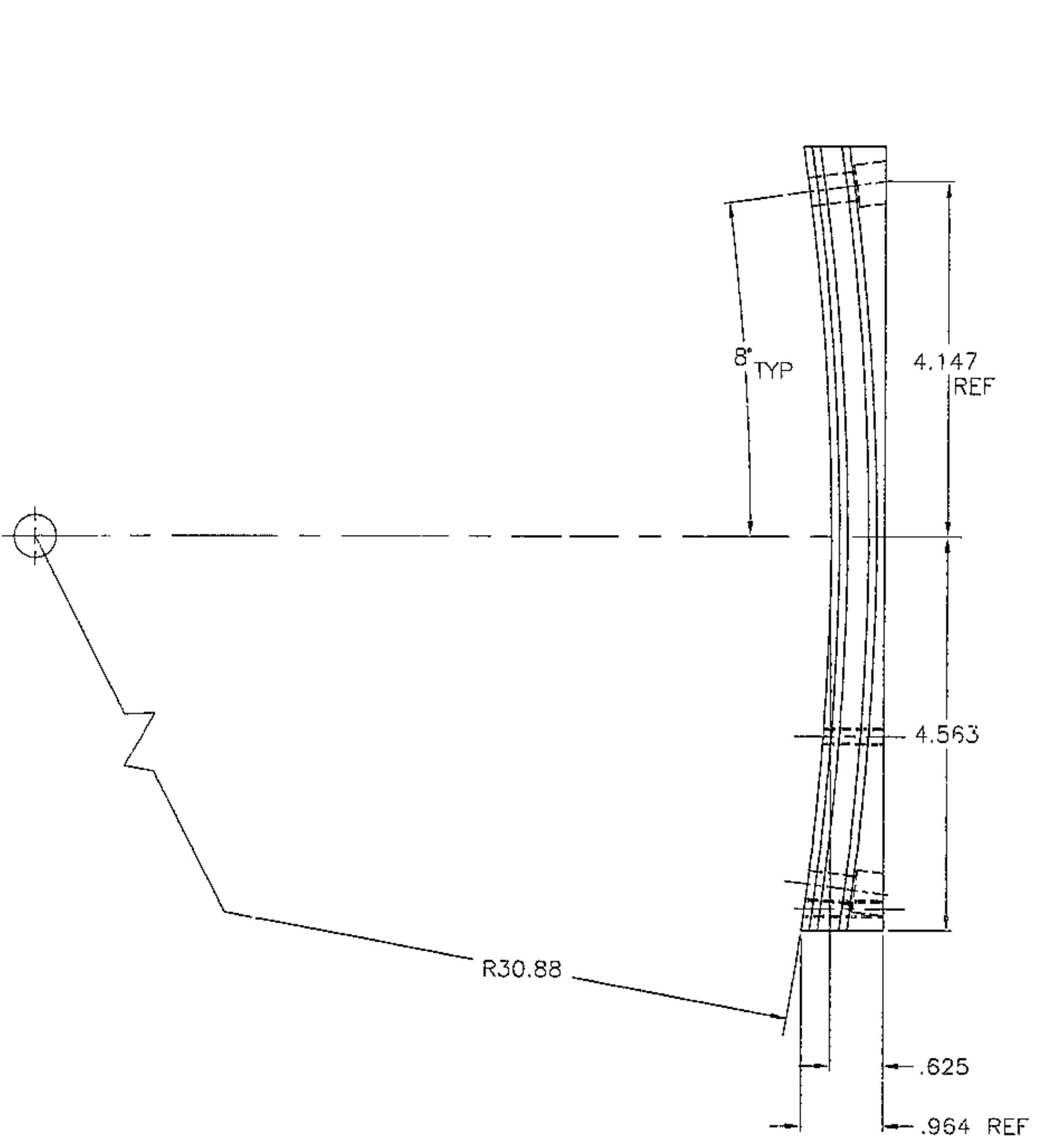


- NOTES: UNLESS OTHERWISE SPECIFIED  
 1. REMOVE ALL BURRS AND SHARP EDGES  $\pm .030$   
 2. MACHINED SURFACE ROUGHNESS 125 ✓  
 3. MAT'L: ALUMINUM ALLOY 6061-T6  
 4. FINISH: BLACK ANODIZE

REVISIONS					
ZONE	LTR	REVISIONS	SCR	DATE	BY



REV	DATE	BY	APP'D	DESCRIPTION	MATERIAL SPECIFICATION	ZONE	REV NO

TOLERANCES UNLESS OTHERWISE NOTED		NATIONAL OPTICAL ASTRONOMY OBSERVATORIES	
DECIMALS	OPERATED BY THE	ASSOCIATION OF UNIVERSITIES FOR RESEARCH IN ASTRONOMY	
.XX ± .03	FRACTIONS	UNDER COOPERATIVE AGREEMENT WITH	
.XXX ± .010	± -	NATIONAL SCIENCE FOUNDATION	

NEXT ASSEMBLY	NAME	REF FILE
2150.501EC02	BOLT BLOCK	1190

SCALE	DESIGNED BY	DATE	APPROVED BY	DATE	REV NO
FULL					
DRAWING PRODUCED USING	DRAWN BY	DATE	APPROVED BY	DATE	
AUTOCAD v.12	J.HOEY	08/01/96			2150.0007740D
PRINT ISSUED	CHECKED BY	DATE	APPROVED BY	DATE	