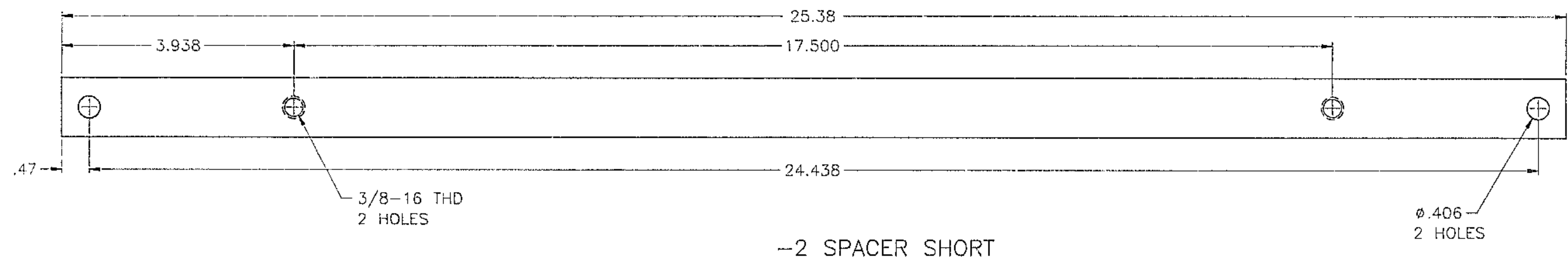
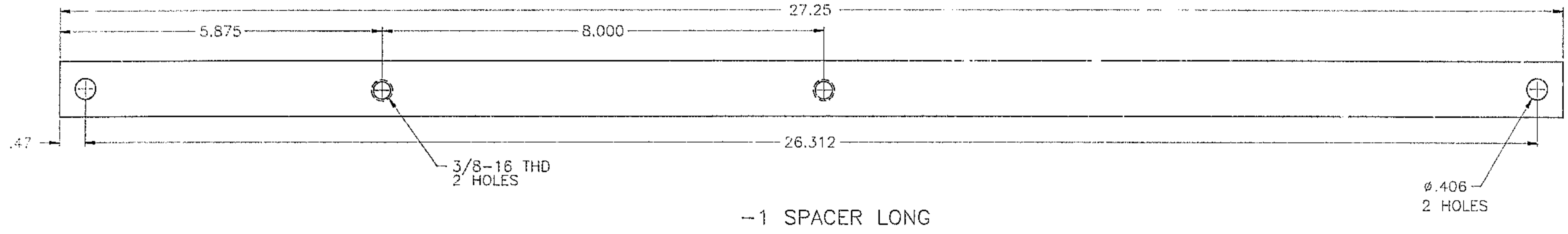


- NOTES: UNLESS OTHERWISE SPECIFIED
1. REMOVE ALL BURRS AND SHARP EDGES $\pm .030$
 2. MACHINED SURFACE ROUGHNESS 125
 3. MAT'L: SEE B/M
 4. FINISH: CLEAR ANODIZE

REVISIONS						
ZONE	LTR	DESCRIPTION	EGR	DATE	BY	APPV



QTY	PART NO	DESCRIPTION	MATERIAL/SPECIFICATION	ZONE	ITEM NO
1	-2	SPACER-SHORT	1X1X25.38 2024-T4 ALUM		2
1	-1	SPACER-LONG	1X1X27.25 2024-T4 ALUM		1

TOLERANCES UNLESS OTHERWISE NOTED			NATIONAL OPTICAL ASTRONOMY OBSERVATORIES		
DECIMALS	FRACTIONS	ANGULAR	OPERATED BY THE		
.XX $\pm .03$	\pm -	\pm 0'30"	ASSOCIATION OF UNIVERSITIES FOR RESEARCH IN ASTRONOMY		
.XXX $\pm .010$	\pm -	\pm 0'30"	UNDER COOPERATIVE AGREEMENT WITH		
			NATIONAL SCIENCE FOUNDATION		
NEXT ASSEMBLY		NAME	REF FILE		
2150.0007344D		BAR-SPACER	1171		
			USED ON		
SCALE: FULL	DESIGNED BY	DATE	APPROVED BY	DATE	DWG NO
PRINTED: PERMITTED USER	J. HOEY	7/25/95	L. B.	11/15/95	2150.0007348D
AUTOCAD v.12	DATE	DATE	DATE	DATE	REV
PRINT ISSUED	CHECKED BY	DATE	APPROVED BY	DATE	REV