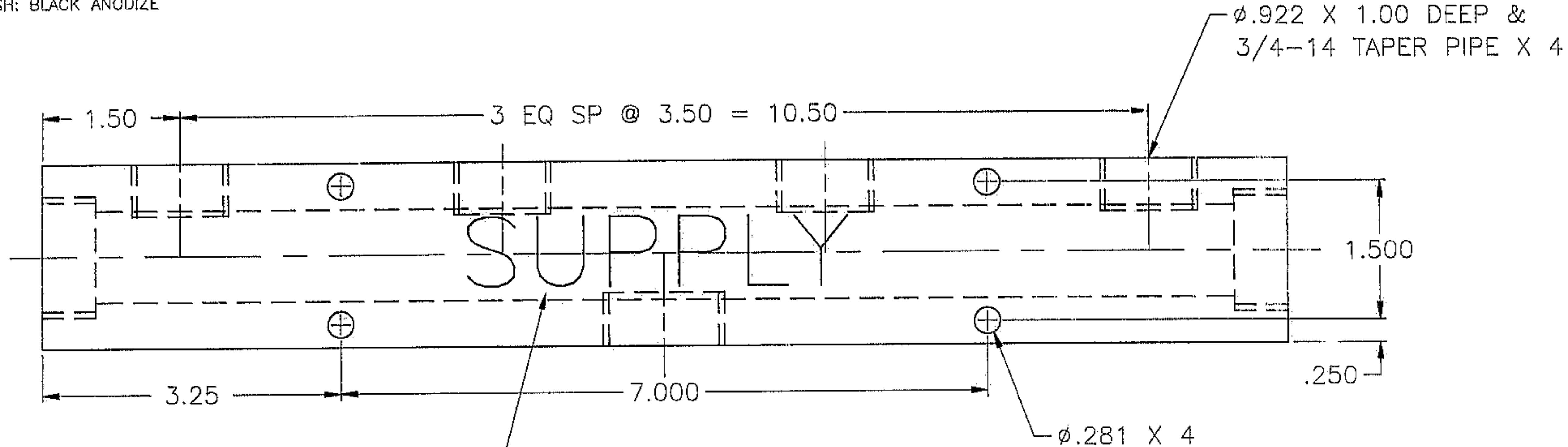
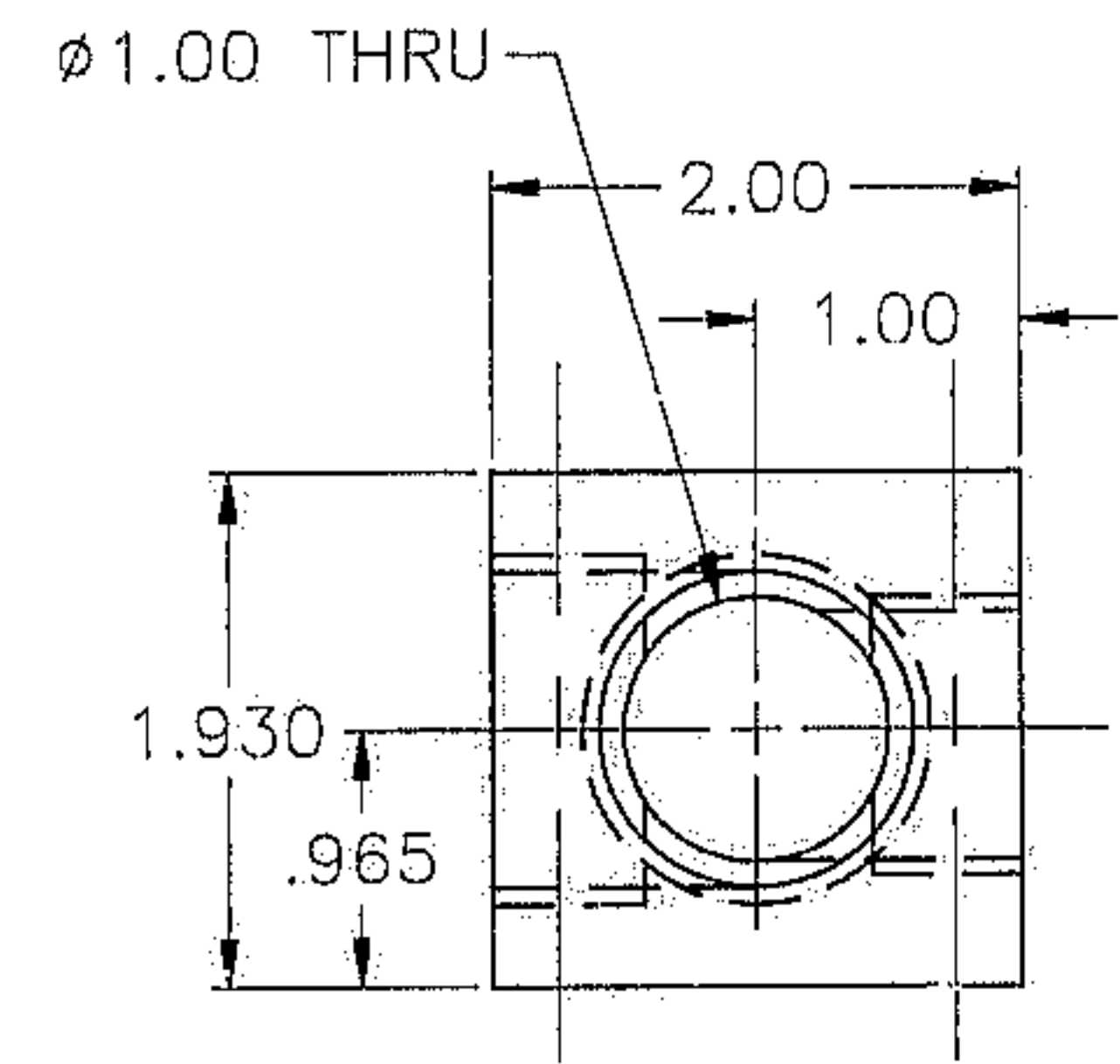
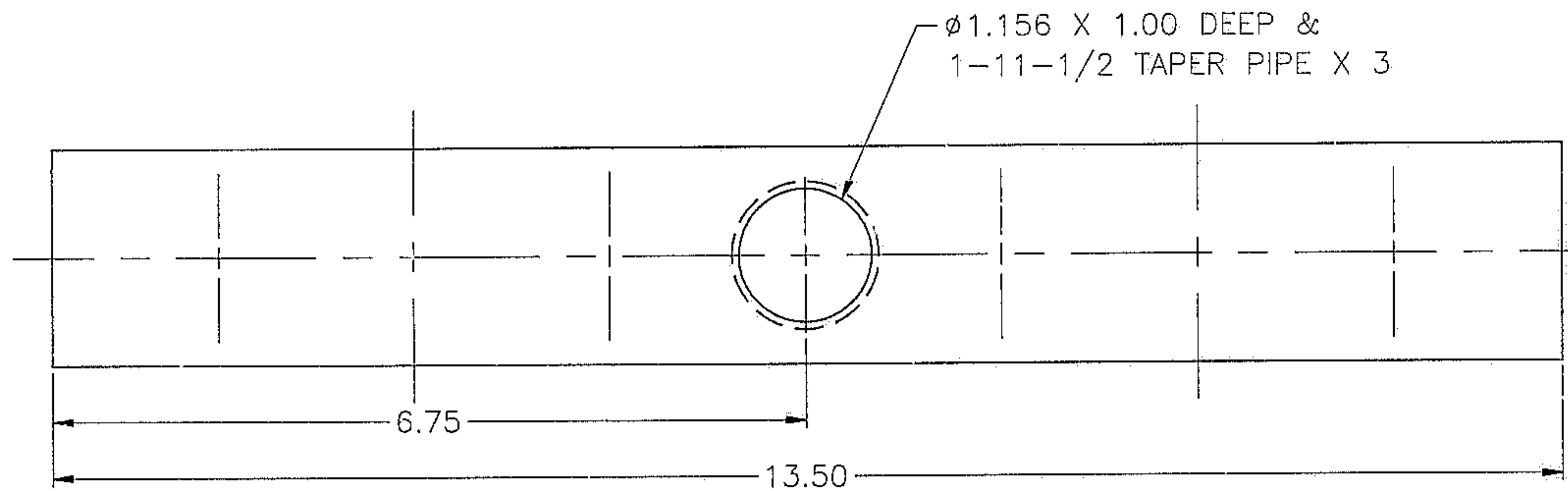


- NOTES: UNLESS OTHERWISE SPECIFIED
1. REMOVE ALL BURRS AND SHARP EDGES .060
 2. MACHINED SURFACE ROUGHNESS 125 ✓
 3. MAT'L: ALUMINUM ALLOY 2024-T4
 4. FINISH: BLACK ANODIZE

REVISIONS					
ZONE	LTR	DESCRIPTION	ECR	DATE	BY / APRV



ENGRAVE 3/4 HIGH LETTERS AS SHOWN



QTY REQD	PART OR IDENTIFYING NO	DESCRIPTION	MATERIAL/SPECIFICATION	ZONE	ITEM NO
		NATIONAL OPTICAL ASTRONOMY OBSERVATORIES OPERATED BY THE ASSOCIATION OF UNIVERSITIES FOR RESEARCH IN ASTRONOMY UNDER COOPERATIVE AGREEMENT WITH NATIONAL SCIENCE FOUNDATION			
NEXT ASSEMBLY 2150.0007344D		NAME MANIFOLD-SUPPLY		REF FILE 1171	
SCALE: FULL		DESIGNED BY DATE		APPROVED BY DATE	
DRAWING PRODUCED USING AUTOCAD v.12		DRAWN BY J.HOEY 6/15/95		APPROVED BY DATE	
PRINT: ISSUED		CHECKED BY DATE		APPROVED BY DATE	
DWG NO. 2150.0007346C				REV	
RELEASED BDC 11/15/95				SHEET OF	