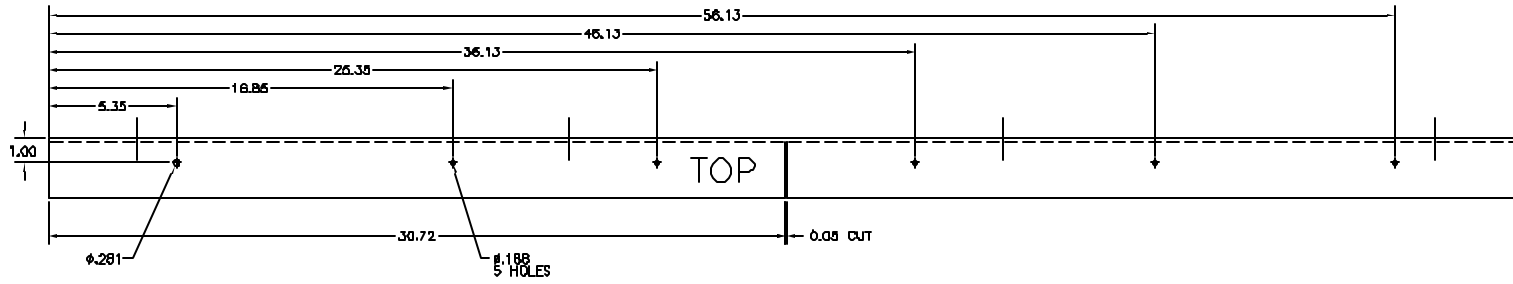
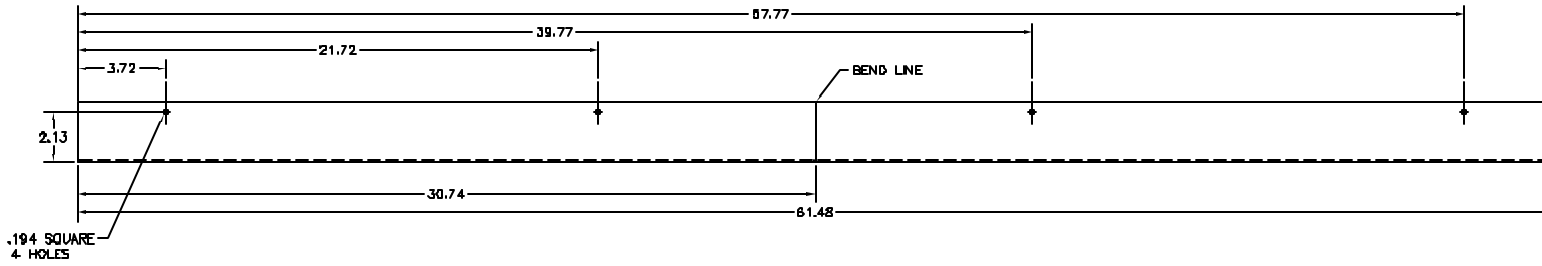
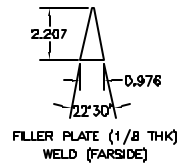
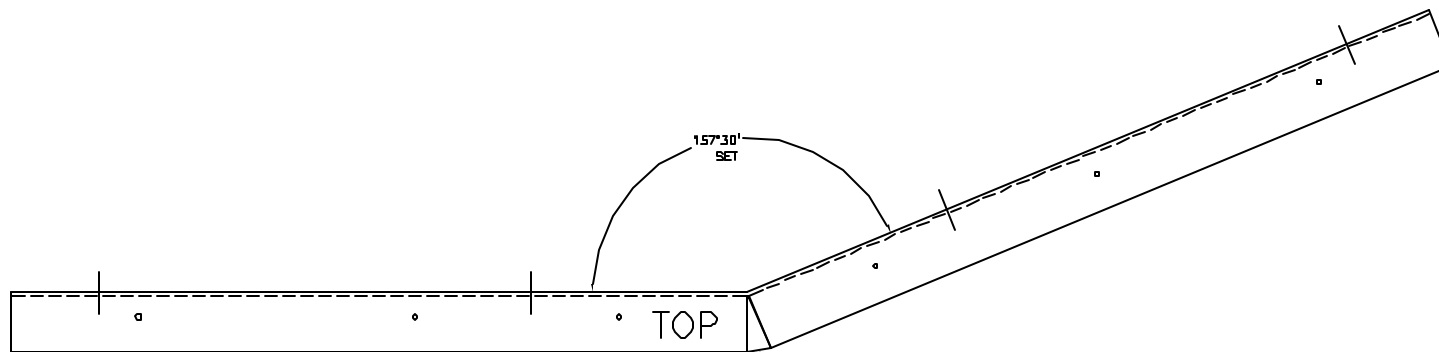


- NOTES UNLESS OTHERWISE SPECIFIED:
 1. REMOVE ALL BURS AND SHARP EDGES $\pm .02$
 2. MACHINED SURFACE FINISHES 125
 3. WELD $\pm 1/2 \times 1/8$ ANGLE- ALUMINUM ALLOY 6061-T6
 4. FINISH

REV	DATE	DESCRIPTION	BY	CHK	APP



FLAT PATTERN



PROJECT	2150.0007340E	DATE	1175
DESCRIPTION	ANGLE-AIR DAM		
REV	1/2	DATE	2150.0007341E