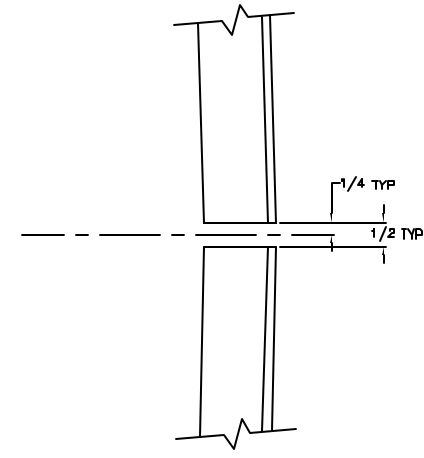
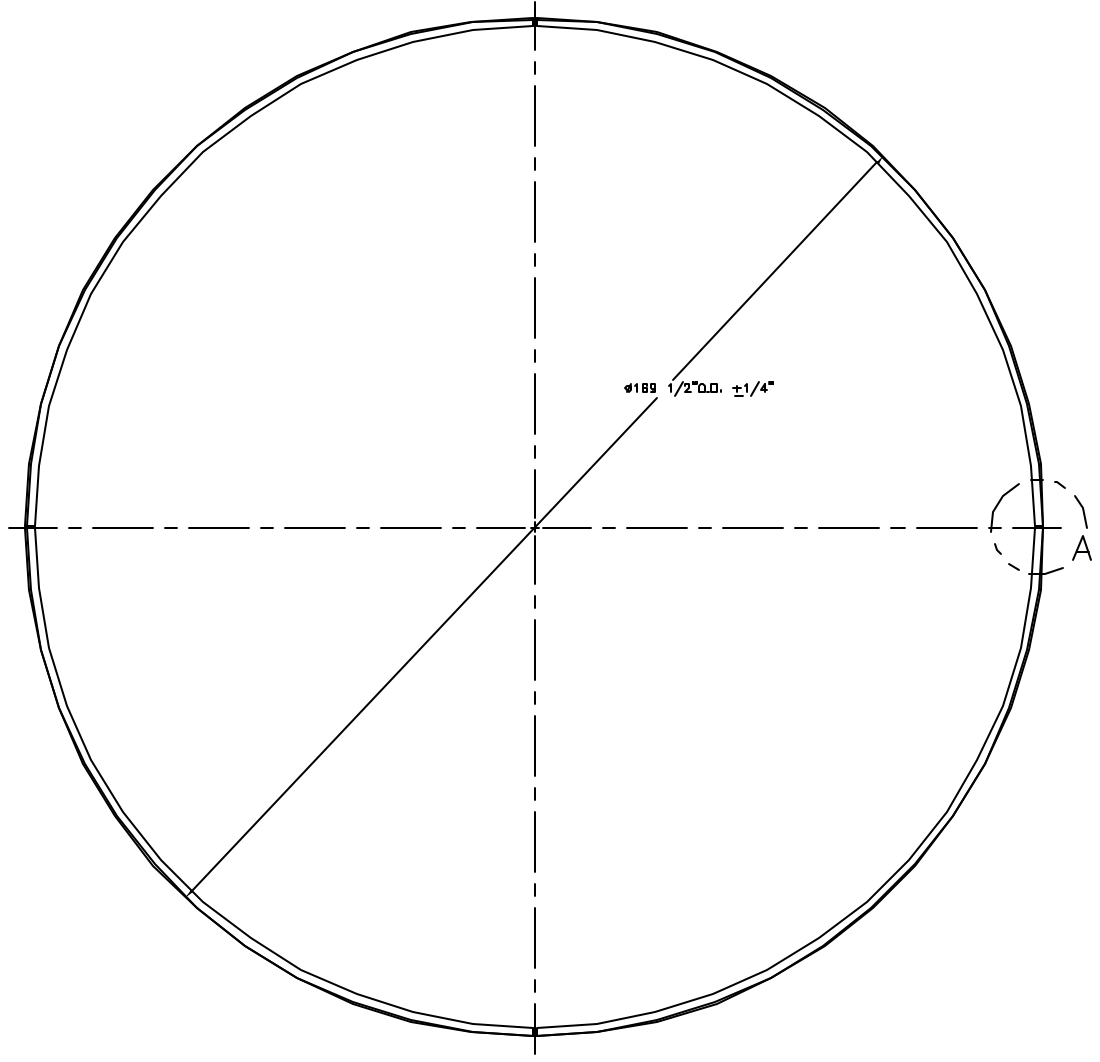


NOTES UNLESS OTHERWISE SPECIFIED:

1. REMOVE ALL BURS AND SHARP EDGES \sqrt{R}
2. MACHINED SURFACE POLISHNESS 125
3. WELD 1/2" X 1/2" 1/2" 3/16" THK STEEL ANGLE
4. FINISH PAINT, ONE COAT RED OXIDE PRIME & ONE COAT FLAT BLACK

REVISIONS				
NO.	DATE	DESCRIPTION	BY	APP.



DETAIL-A
TYP 4 PL'CS
FULL SCALE



<small>UNLESS OTHERWISE SPECIFIED</small> NATIONAL OPTICAL ASTRONOMY OBSERVATORIES LABORATORY OF OPTICS NATIONAL SCIENCE FOUNDATION		DRAWING NO. 2150.0007219E REV. 3/27/77
PROJECT NO. 2150.0007340E	NAME RING-SEGMENTED	REV. FILE 1175
DATE 1/15/77	DRAWN BY J. J. ...	CHECKED BY ...