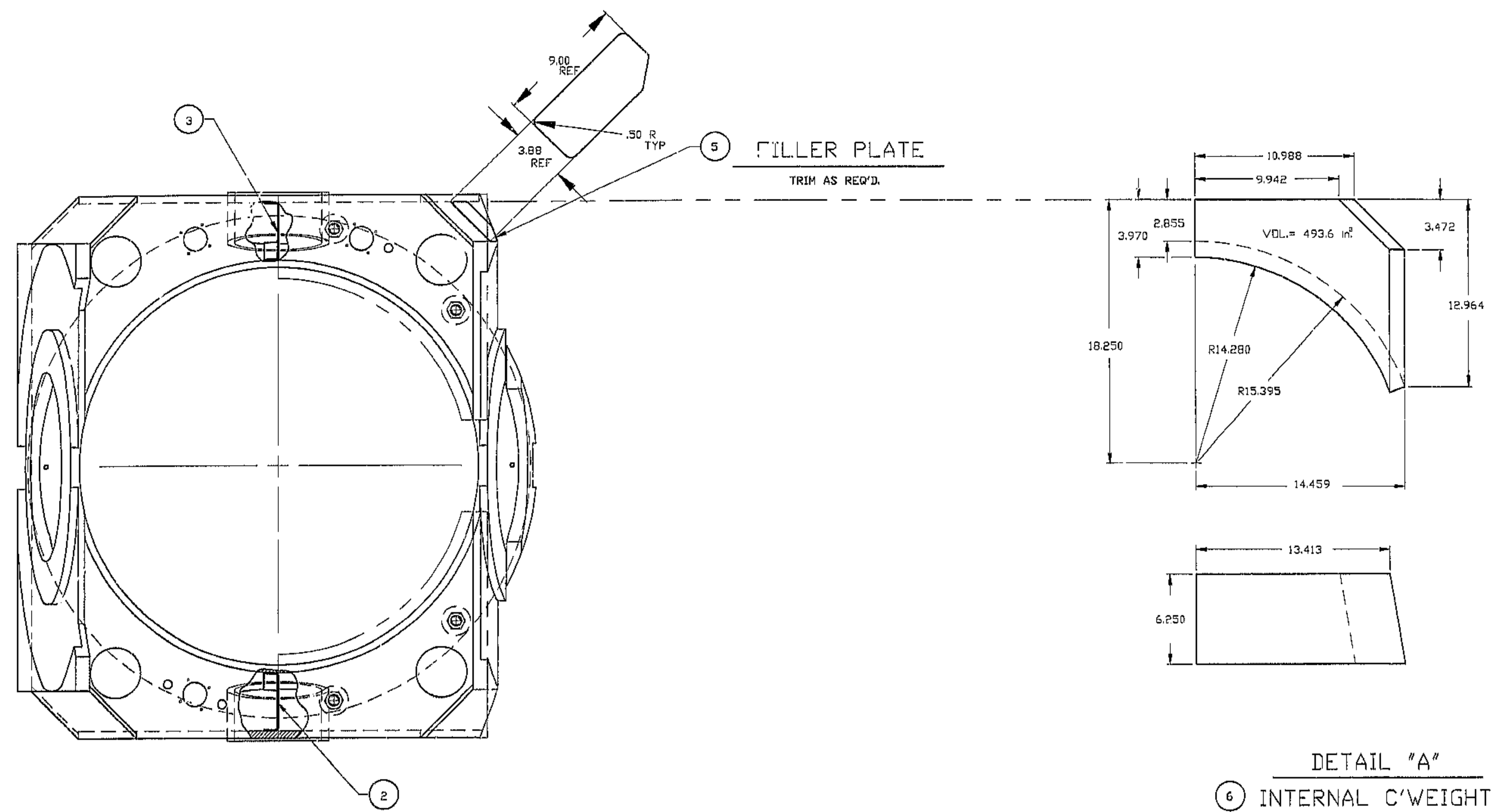
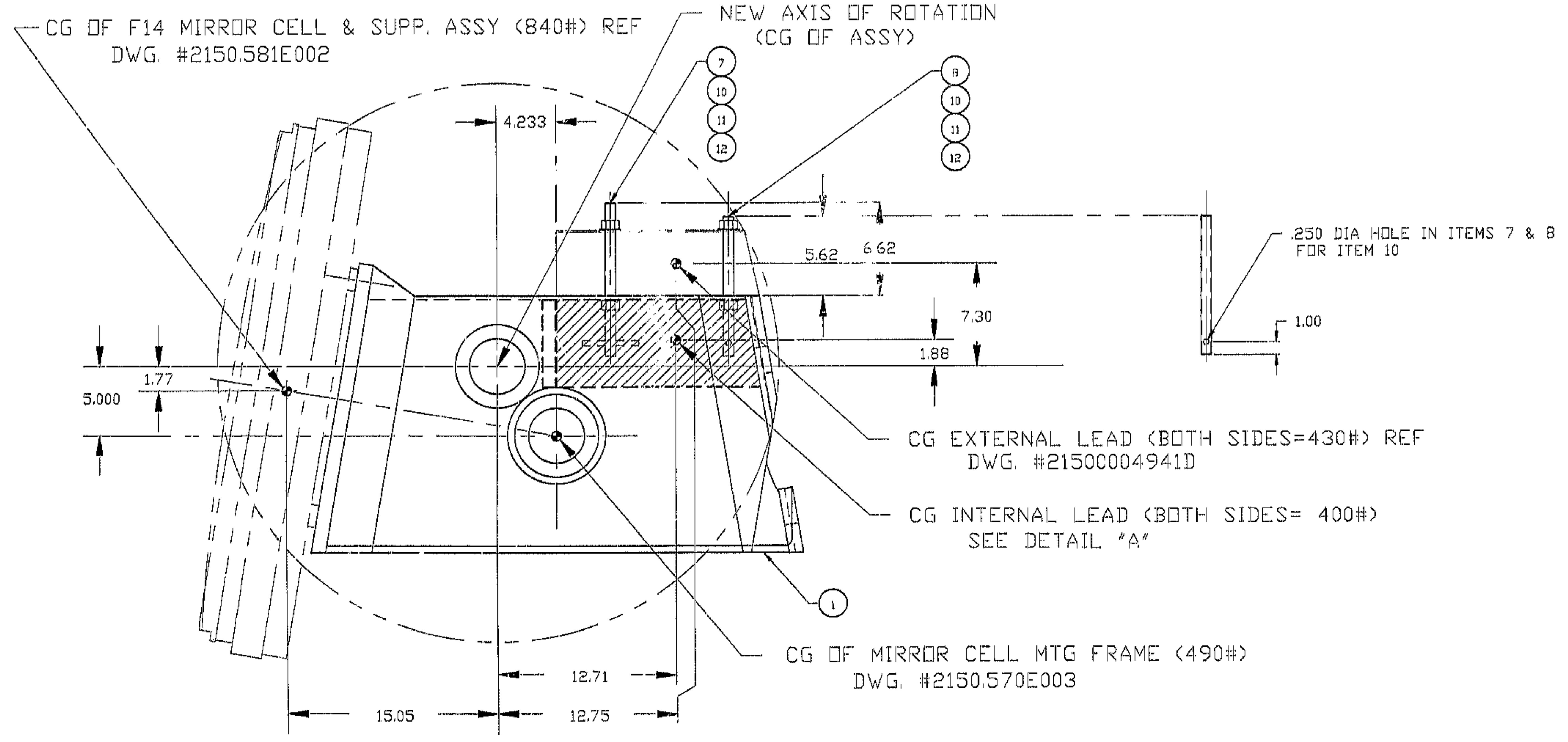


NOTES: UNLESS OTHERWISE NOTED  
 1. REMOVE ALL BURRS AND SHARP EDGES .03  
 2. MACHINED SURFACE FINISHNESS 125  
 3. TACK WELD ITEMS 3,4&5 IN PLACE

REVISIONS				
ZONE	LTR	REVISIONS	EDR	DATE



DETAIL "A"  
 6 INTERNAL C'WEIGHT  
 -2 SHOWN, -1 OPPOSITE  
 < TO BE PORED IN PLACE >



ALTER AS SHOWN  
 ALTER AS SHOWN  
 SEE NOTE 3  
 SEE NOTE 3  
 SEE NOTE 3

ITEM	DESCRIPTION	MATERIAL/SPECIFICATION	ZONE	FROM NO
				20
				19
				18
				17
				16
				15
				14
				13
6	3/4	FLAT WASHER	STL	12
8	3/4-16	HEX NUT	STL	11
4	1/4 DIA X 2.00 LG	ROLL PIN	STL	10
				9
2	3/4-16 X 10 LG	THREADED ROD	STL	8
2	3/4-16 X 11 LG	THREADED ROD	STL	7
AL		LEAD WEIGHT-100LB	PIG LEAD	6
1		1/8 PL X 4 X 9	STL	5
				4
1	21500004943-2	LEAD DAM		3
1	21500004943B-1	LEAD DAM		2
1	2150.570E003	MIRROR CELL MOUNTING FRAME		1

TOLERANCES UNLESS OTHERWISE NOTED  
 DECIMALS .0005  
 FRACTIONS 1/16  
 ANGULAR ± 0°30'

NATIONAL OPTICAL ASTRONOMY OBSERVATORIES  
 OPERATED BY THE  
 ASSOCIATION OF UNIVERSITIES FOR RESEARCH IN ASTRONOMY  
 UNDER COOPERATIVE AGREEMENT WITH  
 NATIONAL SCIENCE FOUNDATION

SCALE: 1/4 SIZE  
 DRAWN BY: MORRAN  
 CHECKED BY: [Signature]

DATE: [Date]  
 DATE: [Date]  
 DATE: [Date]

APPROVED BY: [Signature]  
 APPROVED BY: [Signature]  
 APPROVED BY: [Signature]

DATE: [Date]  
 DATE: [Date]  
 DATE: [Date]

REC'D BY: [Signature]  
 REC'D BY: [Signature]  
 REC'D BY: [Signature]

DATE: [Date]  
 DATE: [Date]  
 DATE: [Date]

NEXT ASSEMBLY: 2150.0004912E  
 NAME: MOUNTING FRAME--C'WEIGHT ASSY  
 REF FILE: 1197  
 USED ON: [ ]

DWG NO: 2150.0004946E