

- NOTES: UNLESS OTHERWISE SPECIFIED
 1. REMOVE ALL BURRS AND SHARP EDGES .030
 2. MACHINED SURFACE ROUGHNESS 125 ✓
 3. MAT'L: ALUMINUM ALLOY 6061-T6
 4. FINISH: BLACK ANODIZE

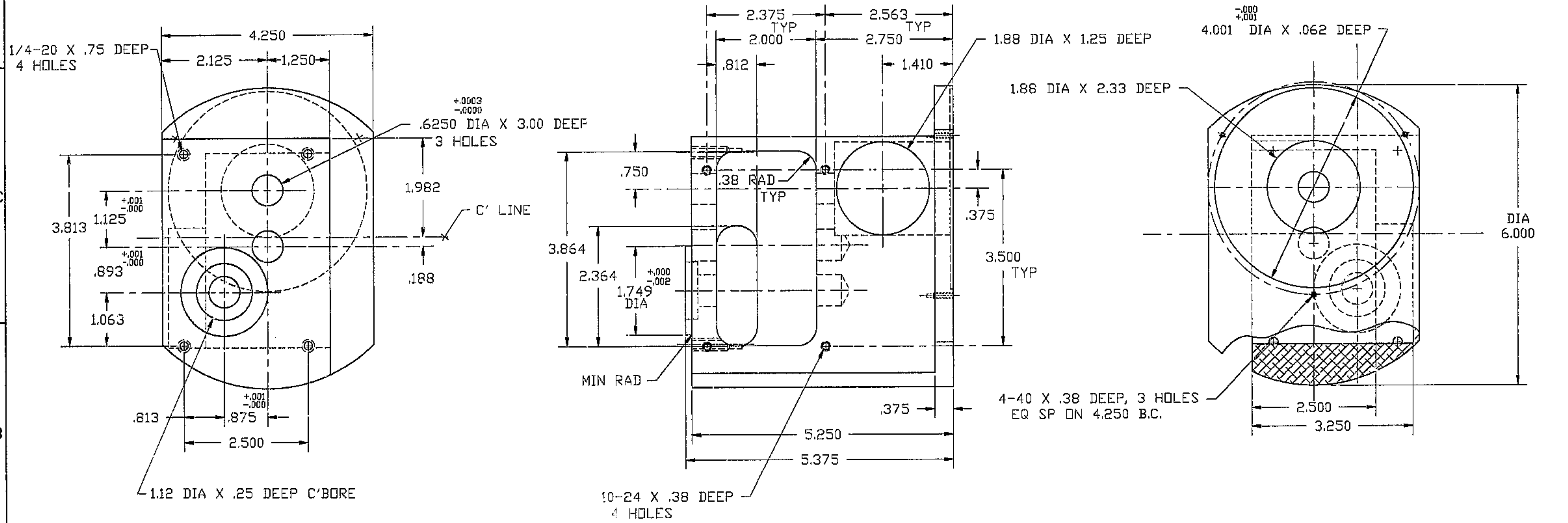
REVISIONS					
ZONE	LTR	DESCRIPTION	ECR	DATE	BY

D

C

B

A



QTY REQD	PART OR IDENTIFYING NO	DESCRIPTION	MATERIAL/SPECIFICATION	ZONE	ITEM NO
TOLERANCES UNLESS OTHERWISE NOTED		NATIONAL OPTICAL ASTRONOMY OBSERVATORIES			
DECIMALS .XX ± .03		OPERATED BY THE ASSOCIATION OF UNIVERSITIES FOR RESEARCH IN ASTRONOMY			
FRACTIONS ± "		UNDER COOPERATIVE AGREEMENT WITH NATIONAL SCIENCE FOUNDATION			
ANGULAR ± 0'30"					
XXX ± .010					
NEXT ASSEMBLY 21500004915D	NAME R.A. GEAR HOUSING	REF FILE 1186		USED ON	
SCALE FULL	DESIGNED BY HEA	DATE 6/16/92	APPROVED BY G/RS	DWG NO 21500004917D	REV
PRINT ISSUED	DRAWN BY J.B.HOEY	DATE 6/16/92	APPROVED BY	DATE 9-11-92	REV 0
CHECKED BY	DATE	APPROVED BY	DATE	RELEASED	BY