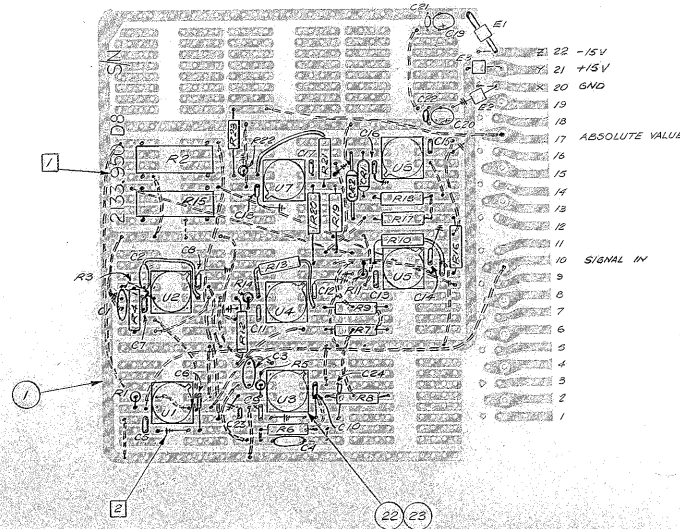
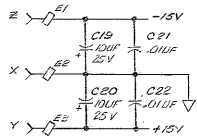
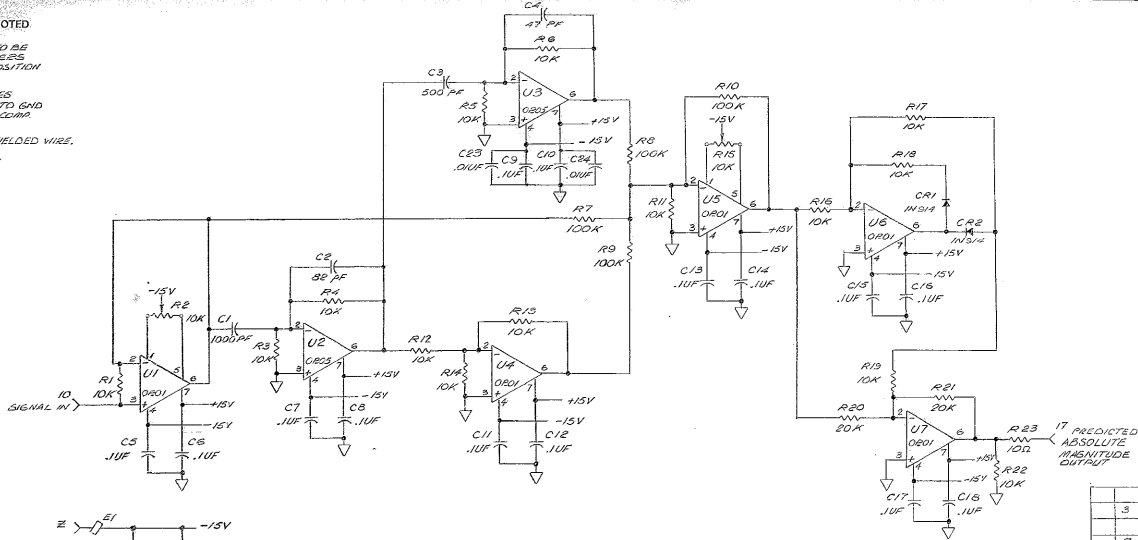


NOTES: UNLESS OTHERWISE NOTED

1. ASSY NO. & SERIAL NO. TO BE MARKED IN 1/8 HIGH LETTERS IN BLACK INK, APPROX POSITION AS SHOWN.
2. —|— SYMBOL INDICATES SOLDERED CONNECTION TO GND PLANE (NOT SHOWN) ON LEAD SIDE.
3. WIRE WITH 22AWG SOLID-SHIELDED WIRE.
4. CAPACITORS 20UF ± 10%
1UF ± 10%



REVISIONS					
ZONE	LTR	DESCRIPTION	ECR	DATE	BY

3	FILICITE READ	E1, E, S	26
			25
7	7717-245 CONVERSION PAD	THEPHLOY	24
7	0330802 SOCKET	TEXAS IN-S	23
			22
			21
1	RESISTOR	10K, 1/8W	20
6		10K, 1/4W	19
2		20K, 1/4 METAL FILM	18
4	1022F	10K, 1% METAL FILM	17
4	1003F	100K, 1% METAL FILM	16
2	767-1539 RESISTOR	VAR, 10K, 10% DIAL	15
			14
2	IN 914 DIODE		13
2	CAPACITOR - 10UF 25V	C19, 20	12
14		.1UF	11
4		.01UF	10
1		47 PF, 5%	9
1		52 PF, 5%	8
1		500 PF, 5%	7
1	CAPACITOR - 1000PF, 5%	C1	6
			5
2	0MDSV OPERATIONAL AMP	PRODUCTION MODEL 1974 C	4
5	0A01 CJ OPERATIONAL AMP	PRODUCTION MODEL 1974 C	3
			2
1	WIDE - 3GP CIRCUIT BOARD	DOUGLAS	1

QTY REQD	PART OR IDENTIFYING NO.	DESCRIPTION	MATERIAL / SPECIFICATION	REF DES	ZONE	ITEM NO.
PARTS LIST						
<p>TOLERANCES UNLESS OTHERWISE NOTED</p> <p>DECIMALS FRACTIONS</p> <p>XX ± .03 1/16</p> <p>XXX ± .010 1/32</p> <p>ANGULAR ± 0° 30'</p>						
<p>NEXT ASSEMBLY: 2133-950 D12</p> <p>SCALE 2:1</p> <p>PRINTED BY: [blank]</p>						
<p>4M TELESCOPE - FT5</p> <p>KITT PEAK NATIONAL OBSERVATORY</p> <p>OPERATED BY THE ASSOCIATION OF UNIVERSITIES FOR RESEARCH IN ASTRONOMY, INC.</p> <p>UNDER CONTRACT WITH NATIONAL SCIENCE FOUNDATION</p> <p>NAME COMPONENT CARD ASSY: 2133.950 D12</p> <p>MAGNITUDE/PREDICTION FUNCTION</p>						
<p>SCALE 2:1</p> <p>DESIGNED BY: [blank]</p> <p>DATE: [blank]</p> <p>APPROVED BY: [blank]</p> <p>DATE: [blank]</p> <p>REV: [blank]</p>						