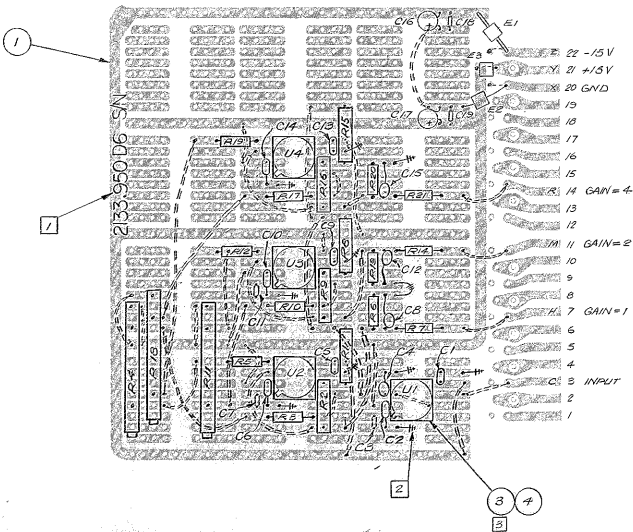
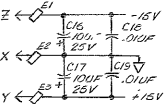
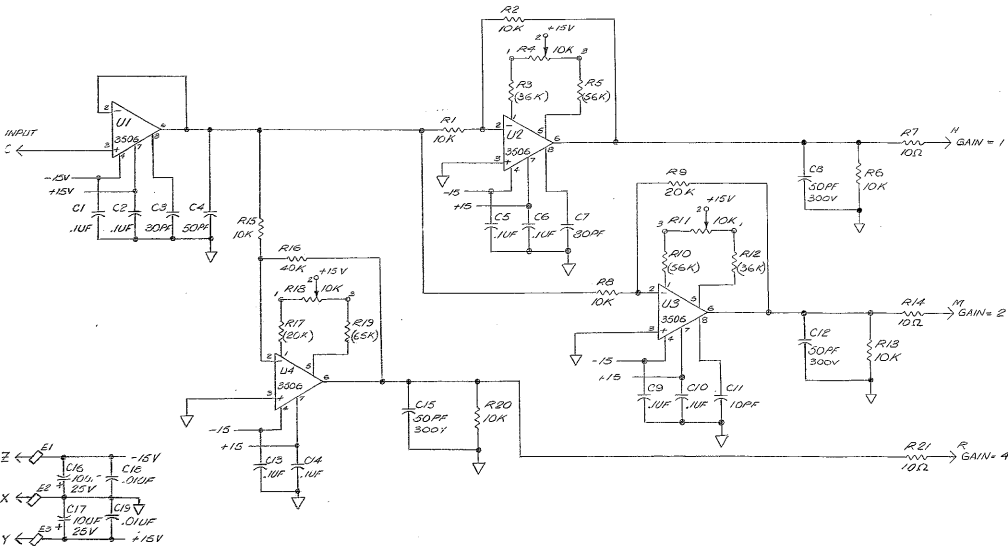


NOTES: UNLESS OTHERWISE NOTED

1. ASSY NO. & SERIAL NO. TO BE MARKED IN 1/8" HIGH LETTERS IN BLACK INK. APPROX POSITION AS SHOWN.
2. ⊥ SYMBOL INDICATES SOLDERED CONNECTIONS TO GROUND PLANE (NOT SHOWN) ON COMPONENT SIDE.
3. WITH INPUT (PIN C) SHORTED TO GROUND, OUTPUT NOISE AND OFFSET OF AMPLIFIER (U) MUST BE LESS THAN ± 5 MILLIVOLTS; OTHERWISE REPLACE U.
4. SIA (SELECT-IN-ASSEMBLY) RESISTORS SELECT TO ADJUST OUTPUT OF OP AMP U2 TO READ WITH R20/R21 + R4 = 100K. RESISTOR FOR U2 IS U4.
5. WIRES WITH 22 AWG SOLID SHIELDED WIRE.
6. CAPACITORS  $\geq 1 \mu F$  ± 10%  
 $\geq 1 \mu F$  ± 5%



REVISIONS					
ZONE	LTR	DESCRIPTION	ECR	DATE	BY APD

3	1	TERRITE BEAD	E, L, B	21
1	1	RESISTOR 40K, 0.05% WASHY	R16	20
1	1	RESISTOR SIA	R3, 5, 10, 12, 13	19
1	3	RESISTOR 10K 1/4 W	R6, 13, 20	18
1	3	RESISTOR 10K 1/4 W	R1, 14, 21	17
1	1	RESISTOR 20K, 0.05% WASHY	R9	16
4	1	RESISTOR 10K, 0.05% WASHY	R1, 2, 8, 15	15
3	3	TRIMPOT 10K WASHY	A4, 11, 13	14
				13
2	1	CAPACITOR 10UF, 25V	C15, 17	12
8	1	1UF	C1, 2, 5, 6, 3, 10, 13, 14	11
2	1	.01UF	C13, 19	10
4	1	50 PF 300V	C4, 9, 12, 15	9
2	1	30 PF	C3, 7	8
1	1	CAPACITOR 10 PF	C11	7
4	1	3506 J OPERATIONAL AMP BURR-BROWN	U1, 2, 3, 4	6
				5
4	1	7717-245 1C CONVERSION PAD THERMALLOY		4
4	1	C-930802 SOCKET TEXAS INS.		3
				2
1	1	11DE-3 GP CIRCUIT BOARD DOUGLAS		1

PARTS LIST						
QTY REQD	PART OR IDENTIFYING NO.	DESCRIPTION	MATERIAL / SPECIFICATION	REF DES	ZONE	TEXT NO.
<p>TOLERANCES UNLESS OTHERWISE NOTED                      DECIMALS FRACTIONS                      .XX ± .03      .XX ± .03      ANGULAR ± 0° 30'</p>						
<p>NEXT ASSEMBLY: 2153, 320-D12</p>						
<p>SCALE 2:1                      PRINT DESIG:  </p>						
<p>REVISIONS BY DATE: 1/15/74                      DRAWN BY: E. H. BELL                      APPROVED BY:  </p>						
<p>PROJECT: 2153-950 D6</p>						
<p>DATE: 3-7-76</p>						

4M TELESCOPE - FTS  
**KITT PEAK NATIONAL OBSERVATORY**  
 OPERATED BY THE  
 ASSOCIATION OF UNIVERSITIES FOR RESEARCH IN ASTRONOMY, INC.  
 UNDER CONTRACT WITH  
**NATIONAL SCIENCE FOUNDATION**

NAME: COMPONENT CARD ASSY - LOW GAIN PRECISION AMPLIFIERS  
 REF DES: 1350-4221  
 QTY:  

REV	DATE	BY	APP'D