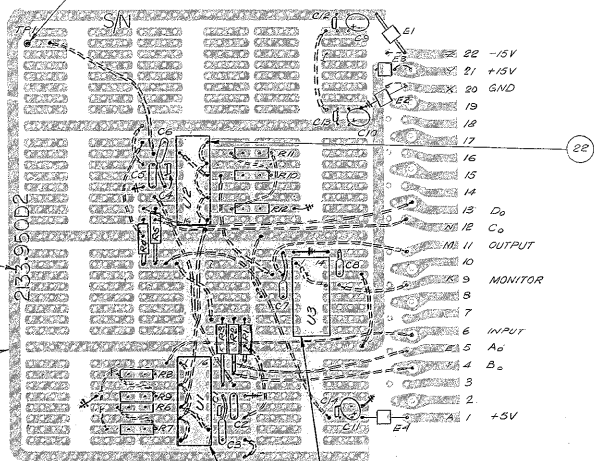
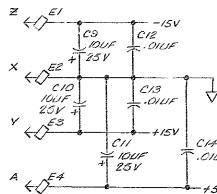
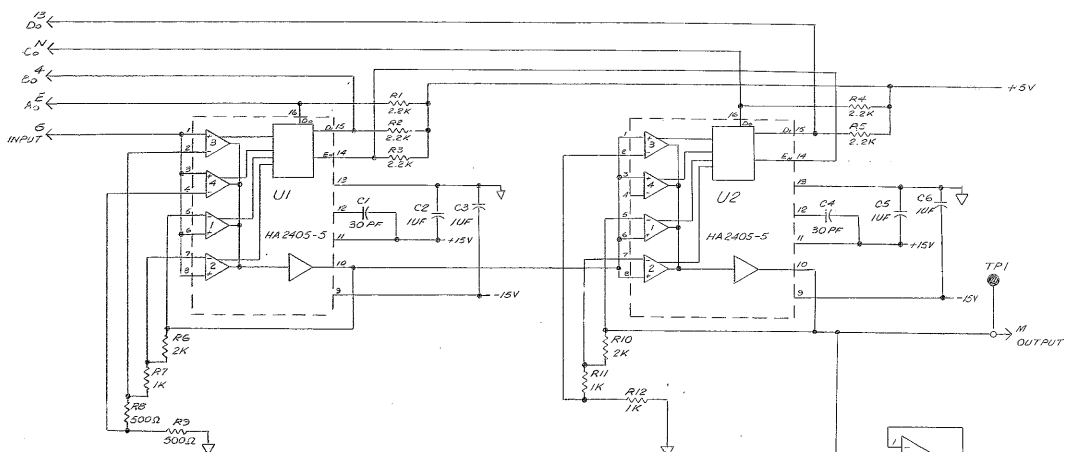


NOTES: UNLESS OTHERWISE NOTED

1. ASSY NO. & SERIAL NO. TO BE MARKED IN 1/8 HIGH LETTERS IN BLACK INK APPROX POSITION AS SHOWN
2. # SYMBOL INDICATES SOLDERED CONNECTION TO GROUND PLANE (NOT SHOWN) ON COMPONENT SIDE.
3. WIRES WITH BEAMS: SOLID ONE OF 2 SIDE.
4. CAPACITORS $\geq 1\mu F = 100\%$
 $< 1\mu F = 10\%$

U1	U2										
D ₀	D ₁	D ₂	D ₃	D ₄	D ₅	D ₆	D ₇	U1	U2	U3	U4
25	26	27	28	29	30	31	32	REL.	16B	16M	16N
1	0	0	0	0	1	1	1	1	1	1	1
2	1	0	0	0	0	1	1	2	1	2	2
3	0	1	0	0	0	1	1	4	1	4	4
4	1	1	0	0	0	0	1	8	1	8	8
5	1	1	1	0	0	0	1	8	2	16	16
6	1	1	1	1	0	0	1	8	4	32	32



QTY	PART OR IDENTIFYING NO.	DESCRIPTION	MATERIAL / SPECIFICATION	REF DES	ZONE	ITEM NO.
1	08-237	TERMINAL SOCKET	STANDARD DR	TPI		23
2	ME2-16-1W6-B	SOCKET	SCAMBE			22
1	CS340	SOCKET	TEXAS IN-			21
2	8617	RESISTOR VAR-100.0 10% DALE	R14,19			20
4		47.0	R6,11,22			18
2		1.5K	R18,20			17
2		7.5K 1/4W	R13,15			16
2		500Ω, 0.5% VISHAY	R8,9			15
3		1K, 0.05% VISHAY	R7,11,12			14
2		2K, 0.05% VISHAY	R6,10			13
5		RESISTOR 2.2K, 1/4 W	R1-5			12
1		FERRITE BEAD	E1-4			11
3		CAPACITOR 10UF, 25V	C3,10,11			10
4		1UF	C2,3,5,6			9
2		.1UF	C7,8			8
3		.01UF	C13,15,17			7
2		CAPACITOR 30PF	C1,4			6
1	5N7274	OPERATIONAL AMP	DOBGLAS	U3		4
2	HA2405-5	OPERATIONAL AMP PRISM	MICRO	U1,2		3
1	11DE-3GP	CIRCUIT BOARD	DOBGLAS			2

PARTS LIST	
TOLERANCES UNLESS OTHERWISE NOTED	
DECIMALS	FRACTIONS
XX ± .001	—
XXX ± .000	ANGULAR ± 0° 30'
NEXT ASSEMBLY 2133.950 D12	
NAME COMPONENT CARD ASSY-SELECTABLE GAIN AMPLIFIER	
SCALE 2:1	REF FILE 1350,4221
PRINTED BY	DATE
CHECKED BY	DATE
DESIGNED BY	DATE
DWG NO. 2133.950 D2	REV
DATE 3-9-76	

REVISIONS					
ZONE	LTR	DESCRIPTION	ECR	DATE	BY / APVD