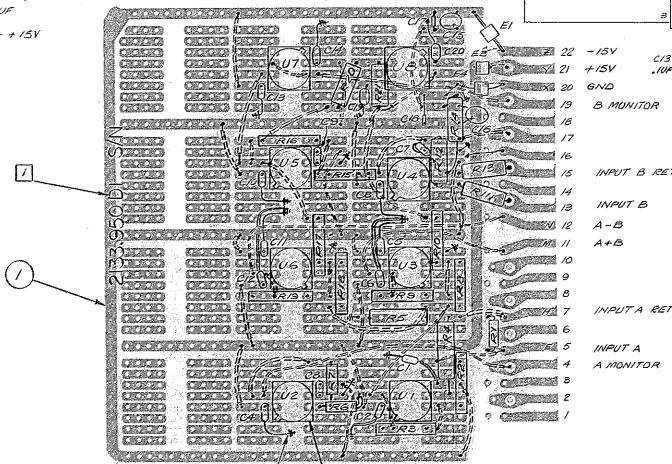
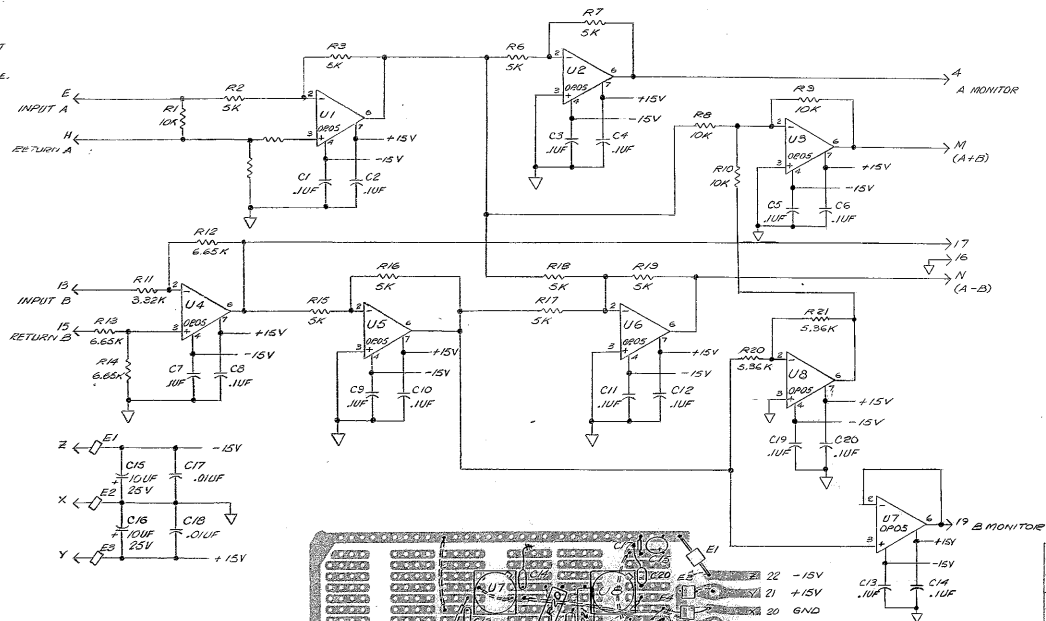


NOTES: UNLESS OTHERWISE NOTED

1. ASSY NO. & SERIAL NO. TO BE MARKED IN  $\frac{1}{16}$ " HIGH LETTERS IN BLACK INK. APPROX POSITION AS SHOWN.
2.  $\rightarrow$  SYMBOL INDICATES SOLDERED CONNECTIONS TO GROUND PLANE (NOT SHOWN) ON COMPONENT SIDE.
3. WIRES WITH 22 AWG SOLID SHIELDED WIRE.
4. CAPACITORS  $\geq 1\mu F$   $\pm 10\%$   
 $< 1\mu F$   $\pm 10\%$



REVISIONS					
ZONE	LTR	DESCRIPTION	ECR	DATE	BY / APD
A		UB ADDED		2023 7-19-80	D/GS

8	7717-P45	I.C. CONVERSION PAD	THERMALDY		20
8	C990802	SOCKET	TEXAS INS		19
					18
					17
2		RESISTOR	5.36K, 1% METAL FILM	R20, 21	16
1			3.32K, 1% METAL FILM	R11	15
2			4.59K, 1% METAL FILM	R4, 5	14
3			6.65K, 1% METAL FILM	R12, 13, 14	13
7	7918-5104		5K .005% VISHAY	R2, 3, 15-18	12
3	7505-5104		10K .005% VISHAY	R8, 9, 10	11
2			5K 1/4W	R6, 7	10
1		RESISTOR	10K, 1/4W	R1	9
3		FERRITE BEAD		E1, 2, 3	8
2		CAPACITOR	10UF, 25V	C15, 16	7
14			.1 UF	C1-14, 19, 20	6
2		CAPACITOR	.01UF	C7, 13	5
					4
8	OP-05 CI	OPERATIONAL AMP	PRECISION	U1-B	3
1					2
1	11DE-36P	CIRCUIT BOARD	DOUGLAS		1

QTY	REQD	PART OR IDENTIFYING NO.	DESCRIPTION	MATERIAL / SPECIFICATION	REF DES	ZONE	ITEM NO.
PARTS LIST							
4M TELESCOPE - FTS							
<b>KITT PEAK NATIONAL OBSERVATORY</b> OPERATED BY THE ASSOCIATION OF UNIVERSITIES FOR RESEARCH IN ASTRONOMY, INC. UNDER CONTRACT WITH <b>NATIONAL SCIENCE FOUNDATION</b>							
NEXT ASSEMBLY		NAME		DATE		DWG	
2/33-920 D12		COMPONENT CARL ASSY		1/320, 4/221			
SCALE 2:1		DESIGNED BY		DRAWN BY		REV	
PRINT REQUIRED		E.S. 2/76		J.W. 2/76		A	
		APPROVED BY		DATE		REV	
		R7/23/83		3-9-76		A	