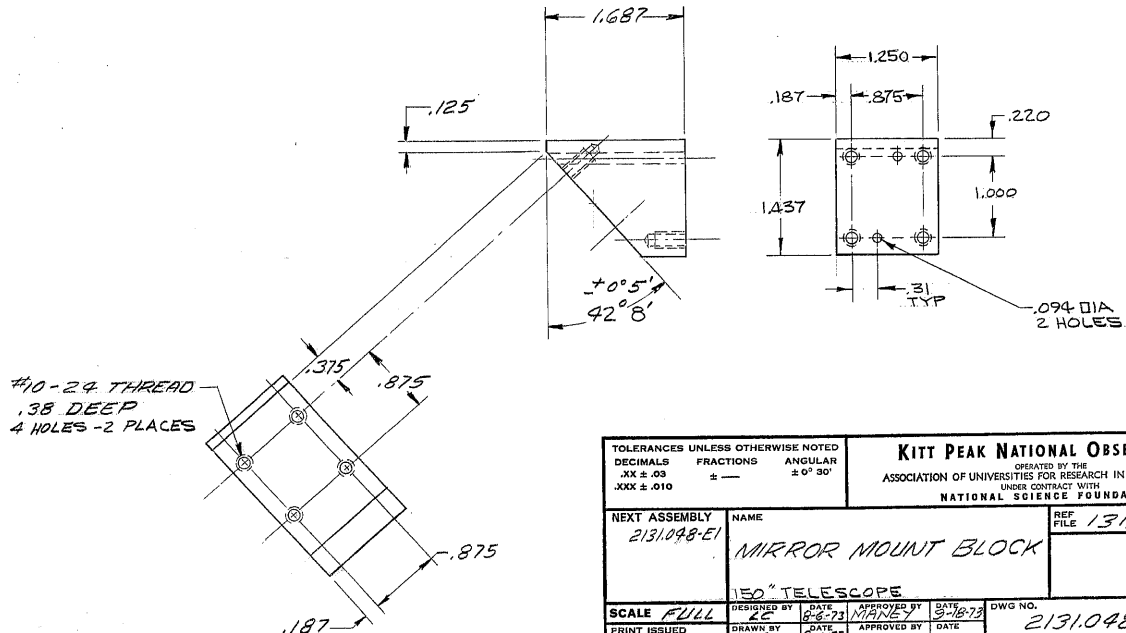


NOTES: UNLESS OTHERWISE NOTED

1. REMOVE ALL BURRS AND SHARP EDGES  $\sqrt{R}$  MAX
2. MACHINED SURFACE ROUGHNESS  $\sqrt{125}$
3. MATERIAL: 2024-T351 AL
4. FINISH: BLACK SULFURIC ANODIZE

REVISIONS				
LTR	DESCRIPTION	E C R	DATE	BY/APVD



TOLERANCES UNLESS OTHERWISE NOTED  
 DECIMALS FRACTIONS ANGULAR  
 .XX ± .03 ± — ± 0° 30'  
 .XXX ± .010

**KITT PEAK NATIONAL OBSERVATORY**  
 OPERATED BY THE  
 ASSOCIATION OF UNIVERSITIES FOR RESEARCH IN ASTRONOMY, INC.  
 UNDER CONTRACT WITH  
 NATIONAL SCIENCE FOUNDATION

NEXT ASSEMBLY 2131.048-E1	NAME MIRROR MOUNT BLOCK	REF FILE 1311
SCALE FULL	DESIGNED BY LC	DATE 8-6-73
PRINT ISSUED	DRAWN BY LC	DATE 8-6-73
CHECKED BY RAC	DATE 8-30-73	APPROVED BY DATE
DWG NO. 2131.048-B1		REV
RELEASE DATE 10-31-73		DATE