

NOTES: UNLESS OTHERWISE NOTED

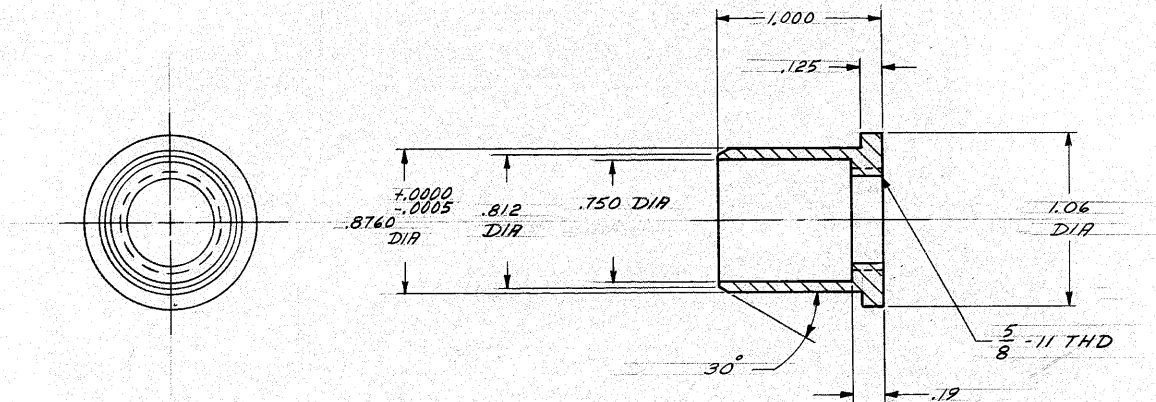
1. REMOVE ALL BURRS AND SHARP EDGES $.03$ R MAX

2. MACHINED SURFACE ROUGHNESS 125

3. MATERIAL: STAINLESS STL. 203 EZ CUT

REVISIONS

LTR	DESCRIPTION	ECR	DATE	BY	APVD



TOLERANCES UNLESS OTHERWISE NOTED
 DECIMALS FRACTIONS ANGULAR
 .XX ± .03 ± — ± 0° 30'
 .XXX ± .010

KITT PEAK NATIONAL OBSERVATORY

OPERATED BY THE
 ASSOCIATION OF UNIVERSITIES FOR RESEARCH IN ASTRONOMY, INC.
 UNDER CONTRACT WITH
 NATIONAL SCIENCE FOUNDATION

NEXT ASSEMBLY
 2131.027-E3

NAME
 150" TELESCOPE
 ECHELLE SPECTROGRAPH
 INSERT - CAPTIVE SCREW

REF
 FILE 1311

SCALE 2/1
 PRINT ISSUED

DESIGNED BY CWA	DATE 8-2-73	APPROVED BY [Signature]	DATE 12-10-73
DRAWN BY CWA	DATE 8-2-73	APPROVED BY	DATE
CHECKED BY RAC	DATE 12-20-73	APPROVED BY	DATE

DWG NO.
 2131.027-B1

REV

RELEASE
 DATE MAY - 9 1975