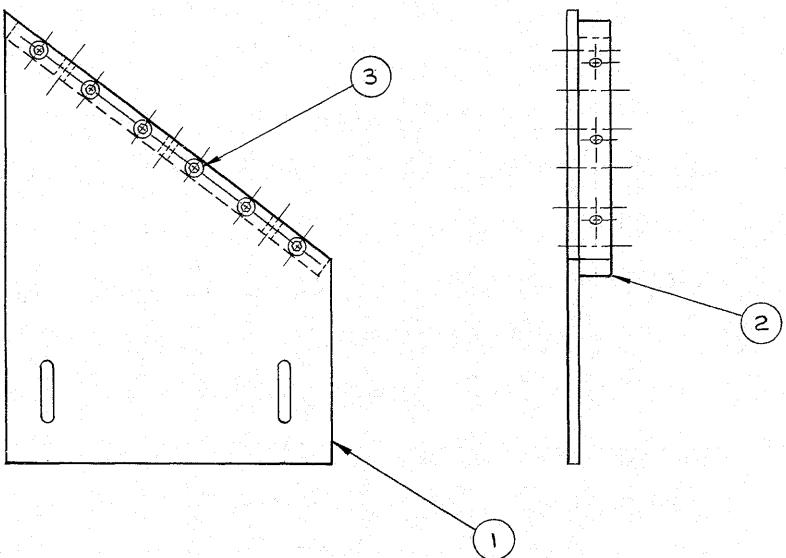


**NOTES: UNLESS OTHERWISE NOTED**

1. REMOVE ALL BURRS AND SHARP EDGES

2. MACHINED SURFACE ROUGHNESS  $125\sqrt{\text{ }}$

REVISIONS						
ZONE	LTR	DESCRIPTION	ECR	DATE	BY	APVD



6		1/4-20 x 3/4 LG FL SOC HD SCR	SST	3
1	2131.025A1	ADAPTER BRACKET		2
1	2131.025B5	ADAPTER PLATE		1
QTY REQD	PART OR IDENTIFYING NO.	DESCRIPTION	MATERIAL / SPECIFICATION	ITEM NO.

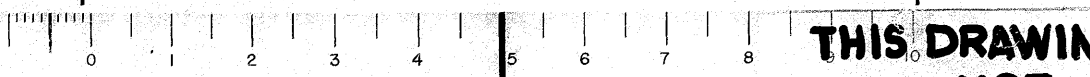
**PARTS LIST**

TOLERANCES UNLESS OTHERWISE NOTED  
 DECIMALS .XX ± .03  
 .XXX ± .010  
 FRACTIONS ± —  
 ANGULAR ± 0° 30'

**KITT PEAK NATIONAL OBSERVATORY**  
 OPERATED BY THE ASSOCIATION OF UNIVERSITIES FOR RESEARCH IN ASTRONOMY, INC.  
 UNDER CONTRACT WITH NATIONAL SCIENCE FOUNDATION

NEXT ASSEMBLY 2131.025-E1	NAME ADAPTER ASSY READ/WRITE MODULE	REF FILE 1311	DWG PL
------------------------------	---	------------------	--------

SCALE 1/2	DESIGNED BY K. PEARSON	DATE 5-7-76	APPROVED BY C. COWSLIC	DATE 5-17-76	DWG NO. 2131.025-C7	REV
PRINT ISSUED	DRAWN BY D.L. S.	DATE 5-11-76	APPROVED BY	DATE	RELEASE DATE 4-19-77	
	CHECKED BY	DATE	APPROVED BY	DATE		



**THIS DRAWING IS  
 ~NOT~  
 CHECKED**