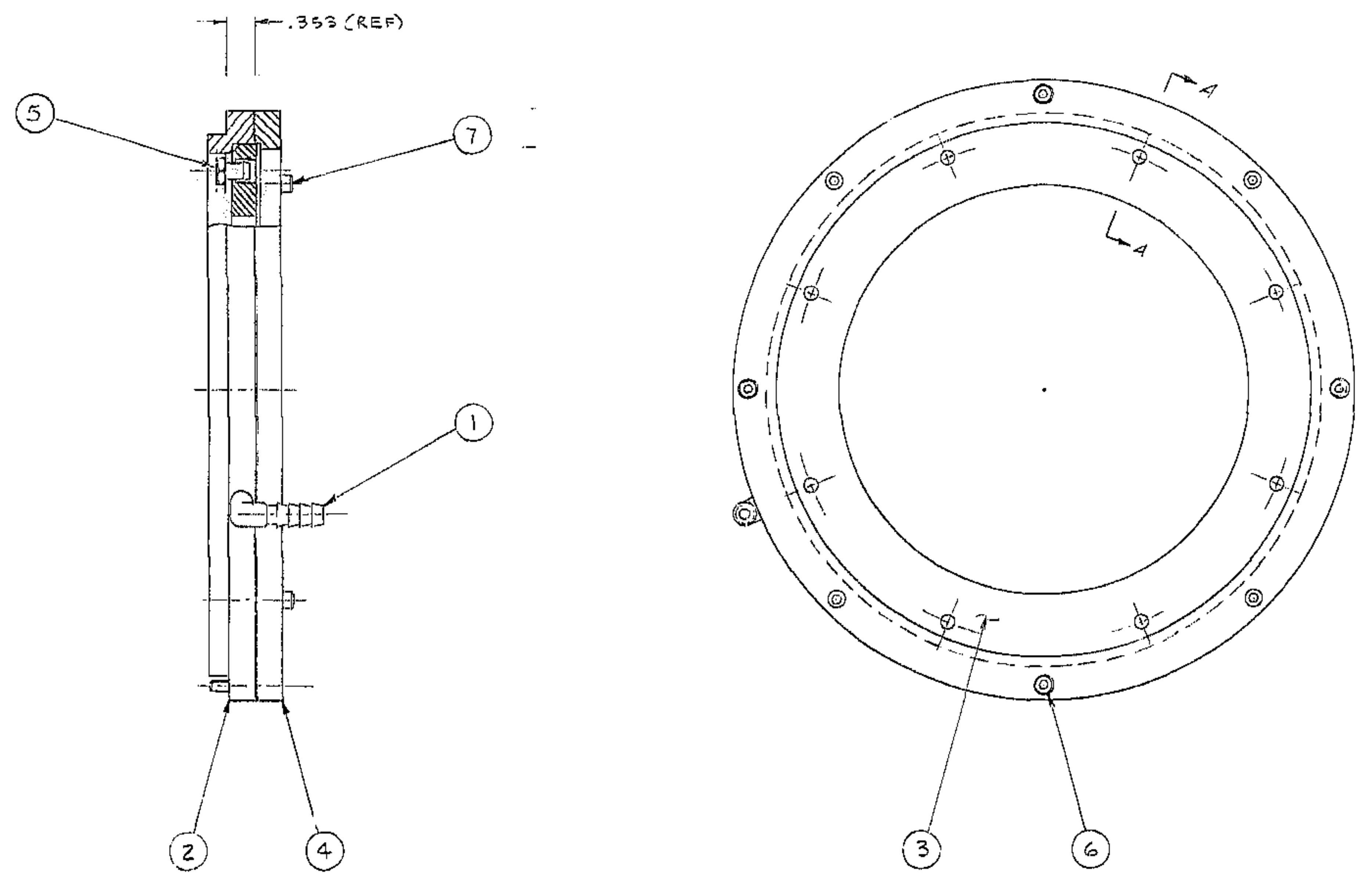


NOTES: UNLESS OTHERWISE NOTED

- 1=REMOVE ALL BURRS AND SHARP EDGES
- 2=MAGHINED SURFACE ROUGHNESS = 125

REVISIONS						
ZONE	LTR	DESCRIPTION	ECR	DATE	BY	APVD
A		ITEM 2 ADDED		3/06	5-31-90	RL



QTY REQD	PART OR IDENTIFYING NO.	DESCRIPTION	MATERIAL/SPECIFICATION	ZONE	ITEM NO.
					10
					9
					8
4		6-32 X 1 LG SOC HD CAP SCR			7
4		6-32 X 5/8 LG SOC HD CAP SCR			6
8		CAPTIVE NUT			5
1	2131.021C12	CLAMP RING			4
1	C11	INNER RING			3
1	C10	OUTER RING			2
1	2131.021A9	ELBOW			1

PARTS LIST

TOLERANCES
UNLESS OTHERWISE NOTED
DECIMALS FRACTIONS
.XX ± .03 ± —
.XXX ± .010 ANGULAR ± 0° 30'

NEXT ASSEMBLY
2131.021E1

KITT PEAK NATIONAL OBSERVATORY
OPERATED BY THE
ASSOCIATION OF UNIVERSITIES FOR RESEARCH IN ASTRONOMY, INC.
UNDER CONTRACT WITH
NATIONAL SCIENCE FOUNDATION

NAME: DEWAR ADAPTER-UV FAST CAMERA
REF FILE: 1291

SCALE FULL

DESIGNED BY	DATE	APPROVED BY	DATE	DWG NO.	REV
J. R. H. (signature)	5/27/93	(signature)	7/2/94	2131.021D11	A
DRAWN BY	DATE	APPROVED BY	DATE	RELEASED DATE	
(signature)		(signature)		7-21-86	