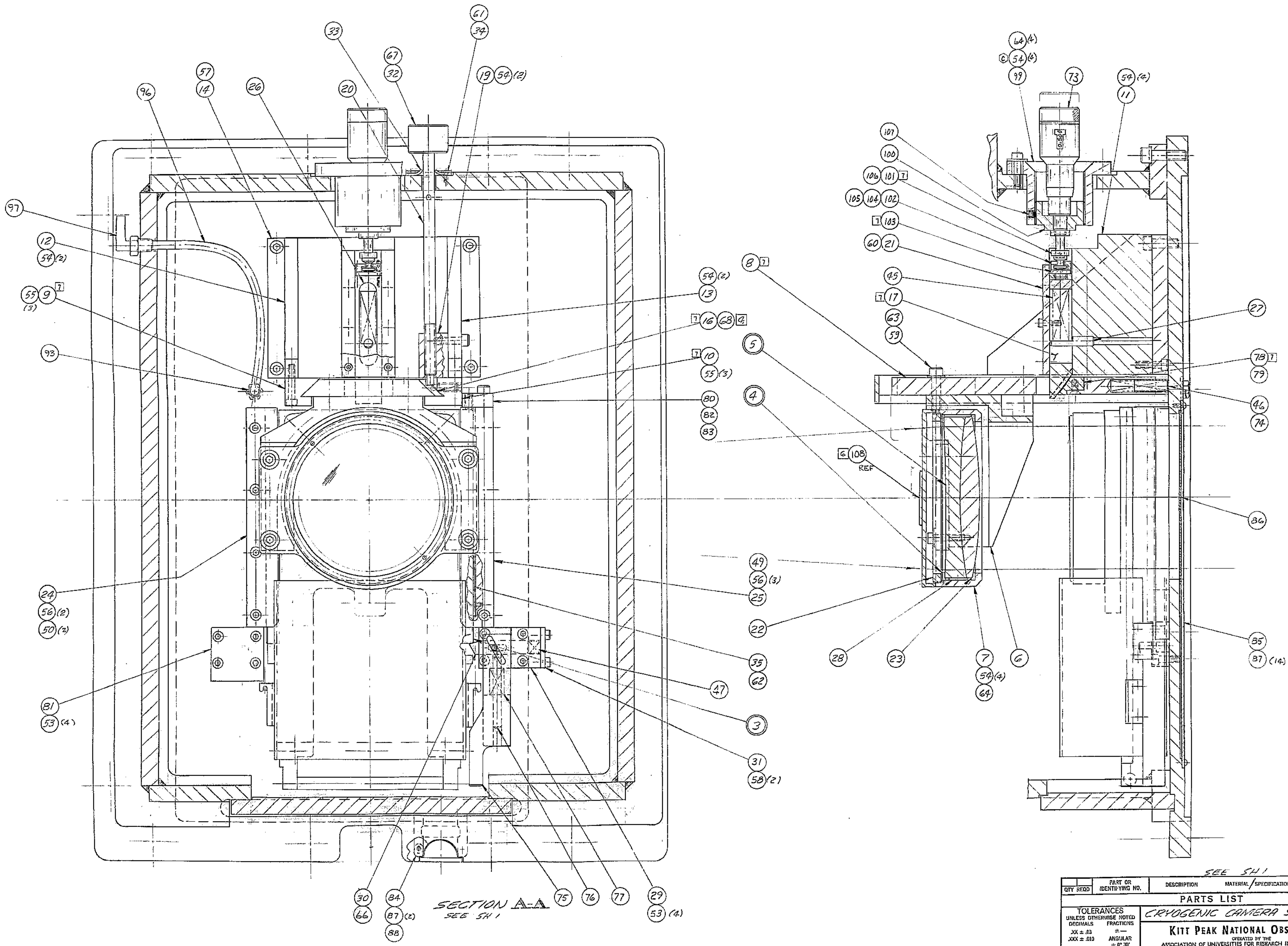


NOTES: UNLESS OTHERWISE NOTED  
 1. REMOVE ALL BURRS AND SHARP EDGES  
 2. MACHINED SURFACE ROUGHNESS  $\frac{125}{\sqrt{R}}$   
 SEE SH 1

REVISIONS					
ZONE	LTR	DESCRIPTION	BY	DATE	APVD
		SEE SH 1			



SECTION A-A  
 SEE SH 1

SEE SH 1

QTY REQD	PART OR IDENTIFYING NO.	DESCRIPTION	MATERIAL / SPECIFICATION	ZONE	ITEM NO.
<b>PARTS LIST</b>					
<b>CRYOGENIC CAMERA SYSTEM</b>					
<b>KITT PEAK NATIONAL OBSERVATORY</b>					
OPERATED BY THE ASSOCIATION OF UNIVERSITIES FOR RESEARCH IN ASTRONOMY, INC. UNDER CONTRACT WITH NATIONAL SCIENCE FOUNDATION					
NEXT ASSEMBLY SEE SH 1		NAME <b>CRYOGENIC CAMERA ADAPTER</b>		REF. FIG. 1307	DWG. NO. 2131018E3 C
SCALE FULL		DESIGNED BY DATE	APPROVED BY DATE	DATE 4-7-80	REV C