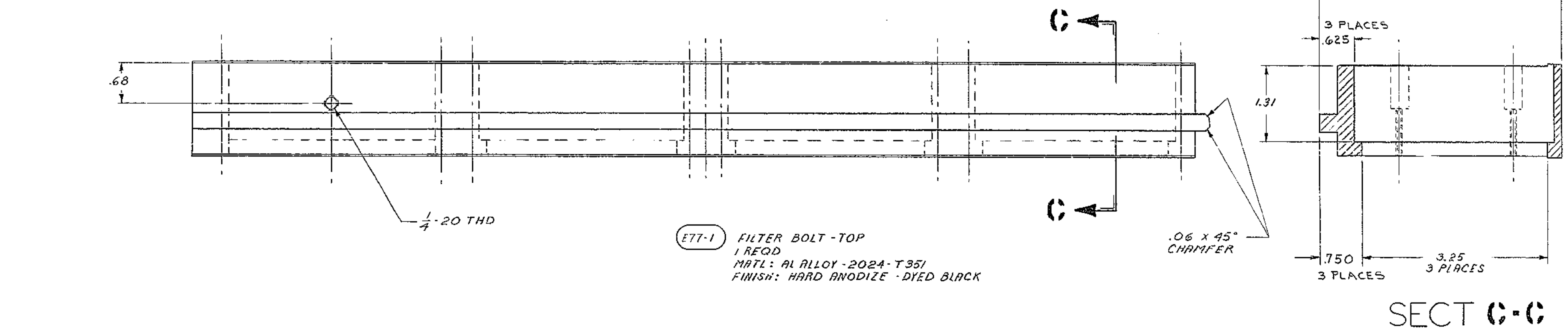
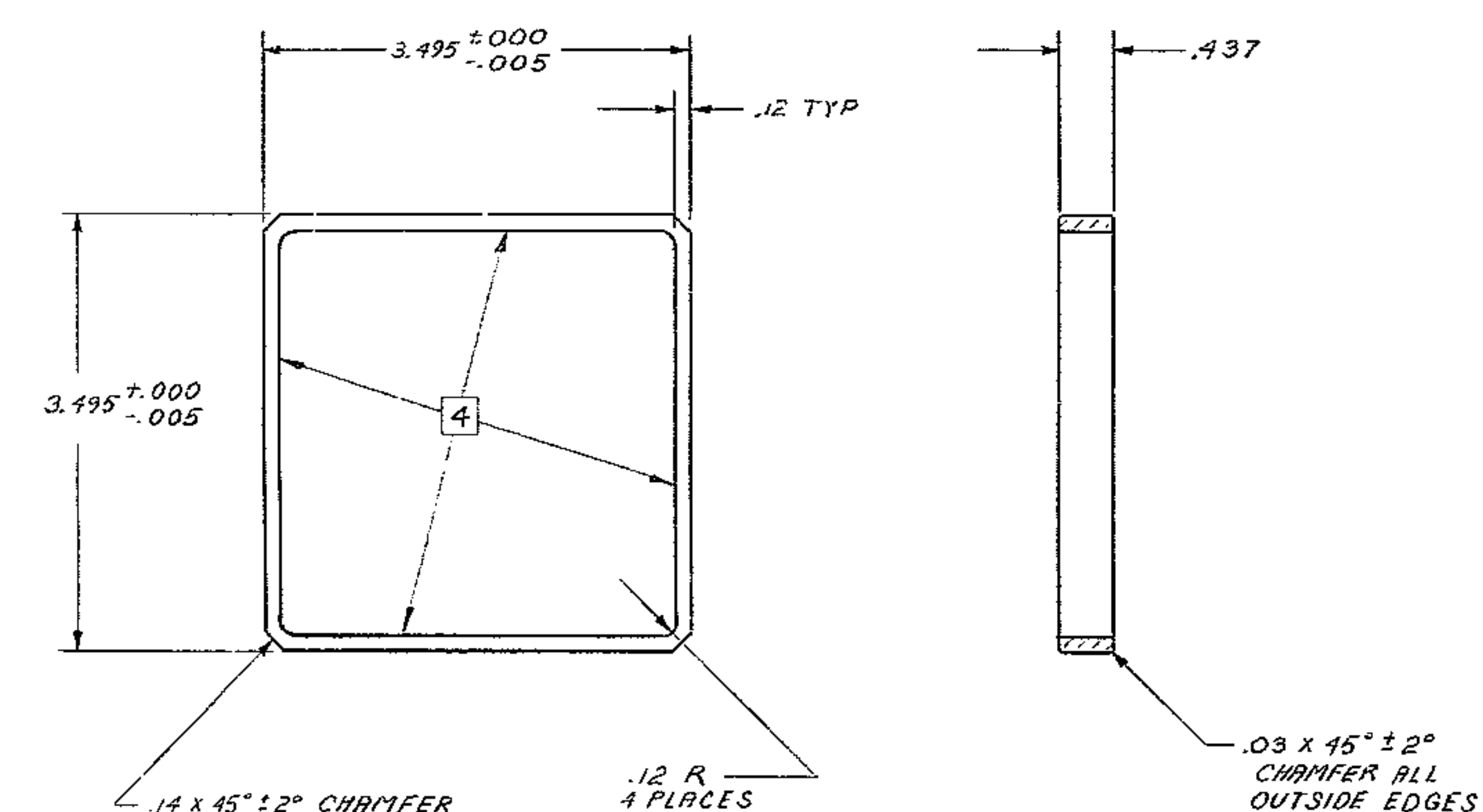
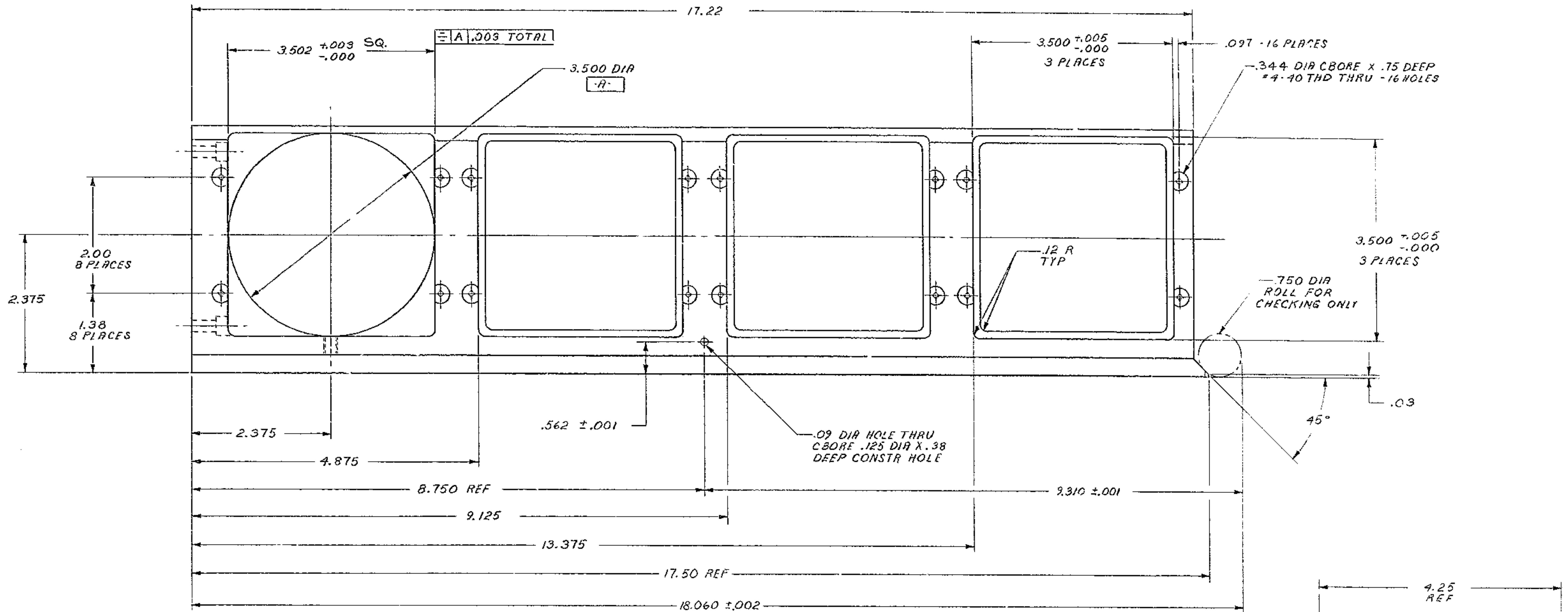
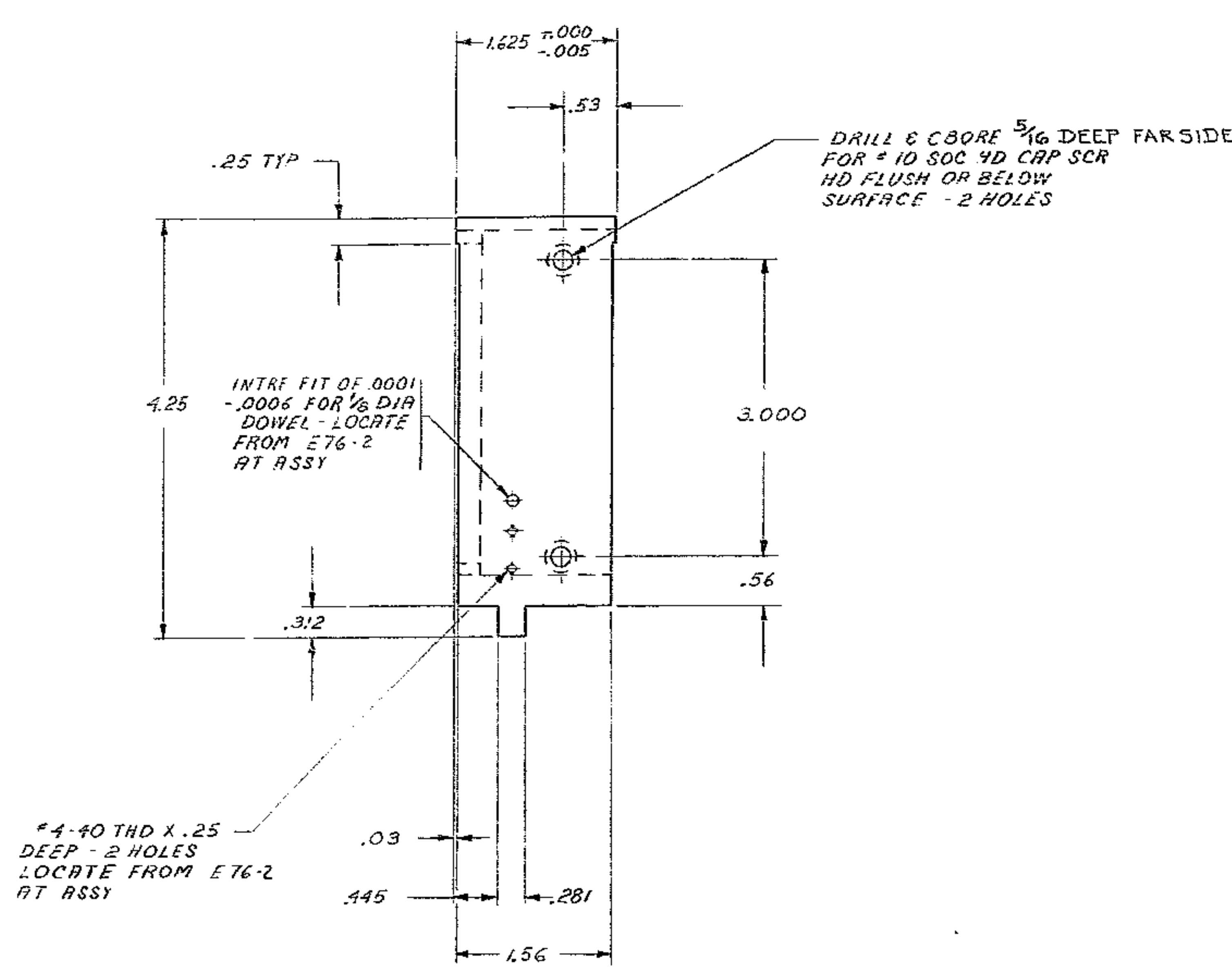


BILL OF MATERIAL

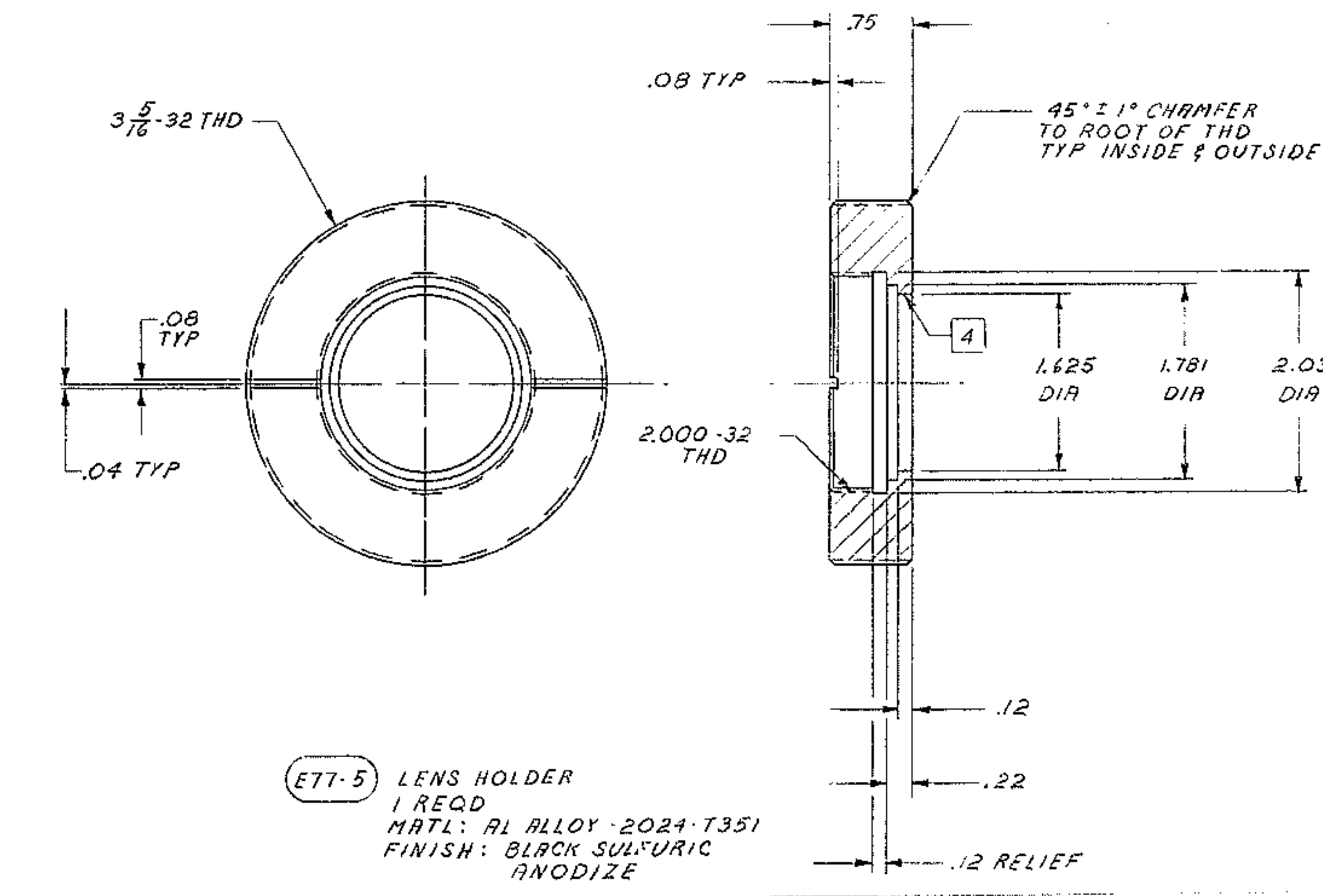
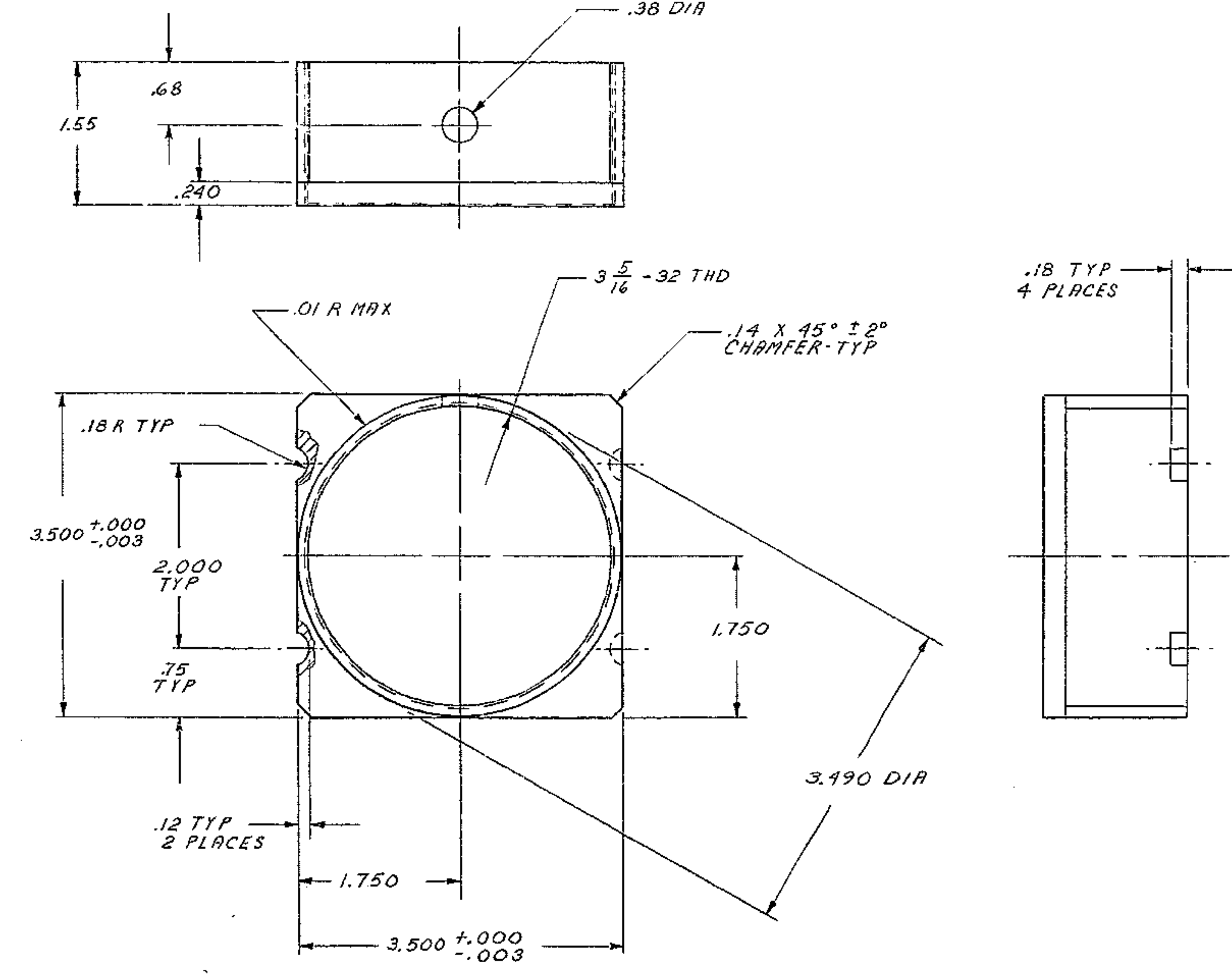
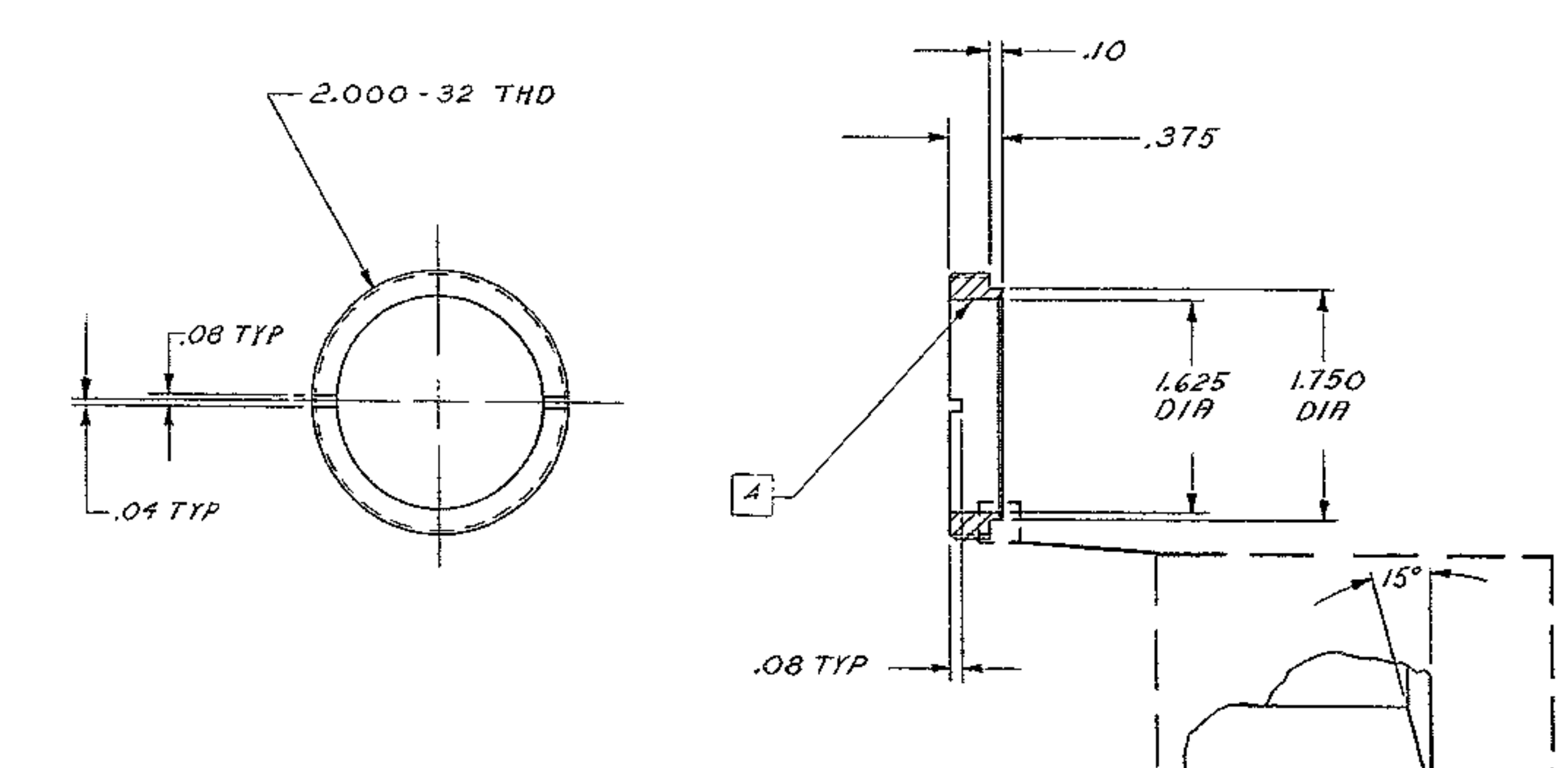
ITEM	QTY	MATERIAL	DESCRIPTION	WEIGHT
------	-----	----------	-------------	--------



ETT-2 FILTER CLAMP  
4 REQD  
MATL: AL ALLOY - 2024-T351  
FINISH: BLACK SULFURIC ANODIZE

ETT-1 FILTER BOLT - TOP  
1 REQD  
MATL: AL ALLOY - 2024-T351  
FINISH: HARD ANODIZE - DYED BLACK

SECT C-C



ETT-3 LENS RETAINER  
1 REQD  
MATL: AL ALLOY - 2024-T351  
FINISH: BLACK SULFURIC ANODIZE

ETT-4 LENS HOLDER  
1 REQD  
MATL: AL ALLOY - 2024-T351  
FINISH: BLACK SULFURIC ANODIZE

ETT-5 LENS HOLDER  
1 REQD  
MATL: AL ALLOY - 2024-T351  
FINISH: BLACK SULFURIC ANODIZE

NOTES: 1. FOR ASSEMBLY SEE E131.004-E114  
2. TO PREVENT GRAZING REFLECTIONS, COAT INDICATED SURFACES WITH 3M CO. #101-C10 BLACK VELVET COATING  
3. DIM APPLY AFTER COATING  
4. ALL FILLET & CORNER RADIUS TO BE .01 R MAX UNLESS OTHERWISE NOTED

TOLERANCES UNLESS OTHERWISE NOTED		KITT PEAK NATIONAL OBSERVATORY	
DECIMAL DIMENSIONS	±.005 ±.003	OPERATED BY THE ASSOCIATION OF UNIVERSITIES FOR RESEARCH IN ASTRONOMY, INC.	
FRACTIONAL DIMENSIONS	UP TO 1/16 ±.005 ±.003	UNDER CONTRACT WITH NATIONAL SCIENCE FOUNDATION	
1/8 TO 1/32 ±.005 ±.003		REF FILE 1310	
3/16 TO 1/2 ±.005 ±.003		SCALE 1/1	
1/2 TO 1 ±.005 ±.003		PRINT ISSUED	
ALL SURFACES TO HAVE V FINISH UNLESS OTHERWISE NOTED		NAME CASSEGRAIN SPECTROGRAPH FILTER BOLT DETAILS TOP	
DATE 10-4-73	DATE 10-4-73	DATE 10-4-73	DATE 10-4-73
REVISION	REVISION	REVISION	REVISION
QUANT.	PRINT RECORD	DATE	NO.
A REVISED AS BUILT		1062	10-4-73
DRAWING NUMBER		2131.004-E77 A	