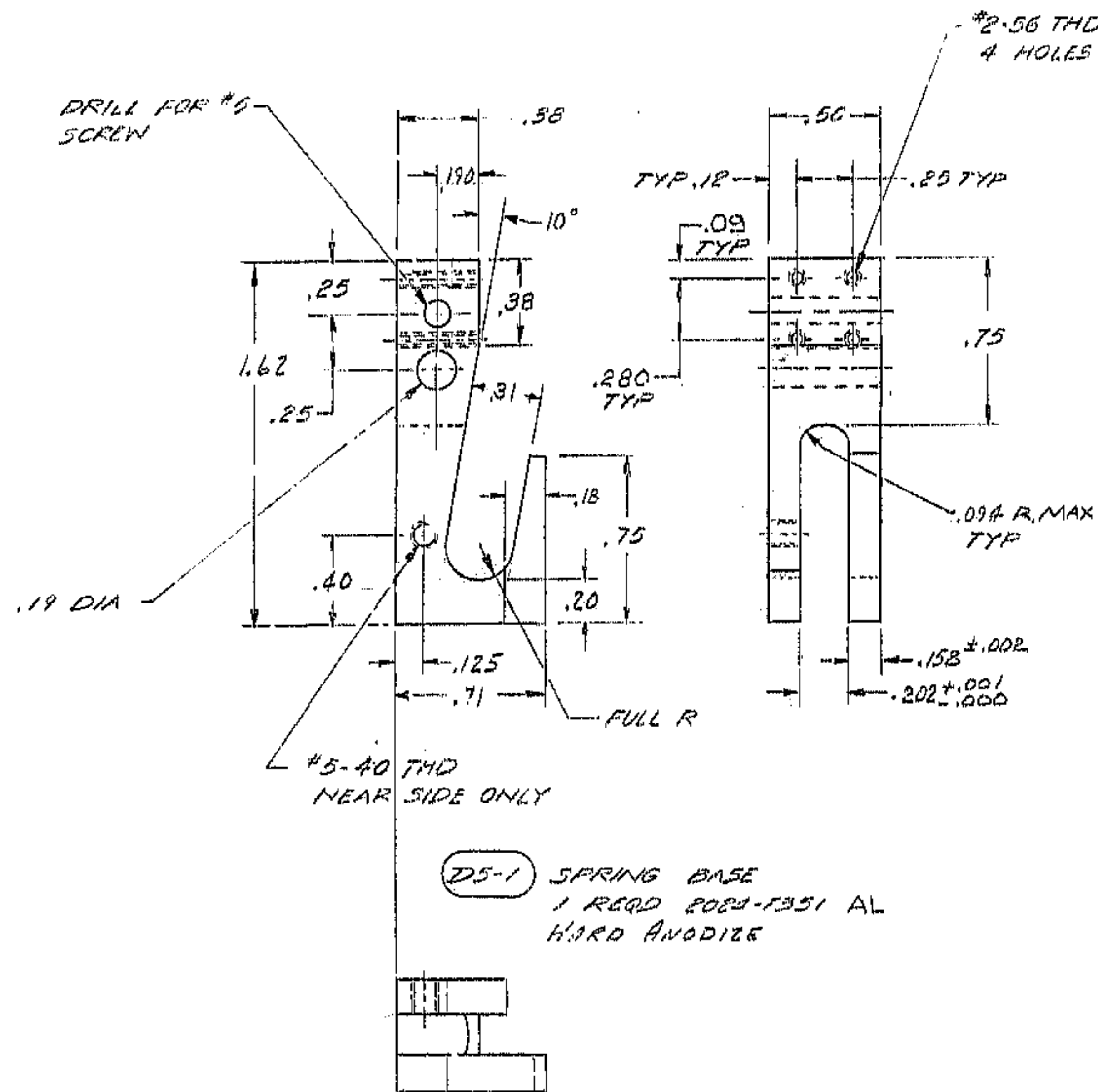
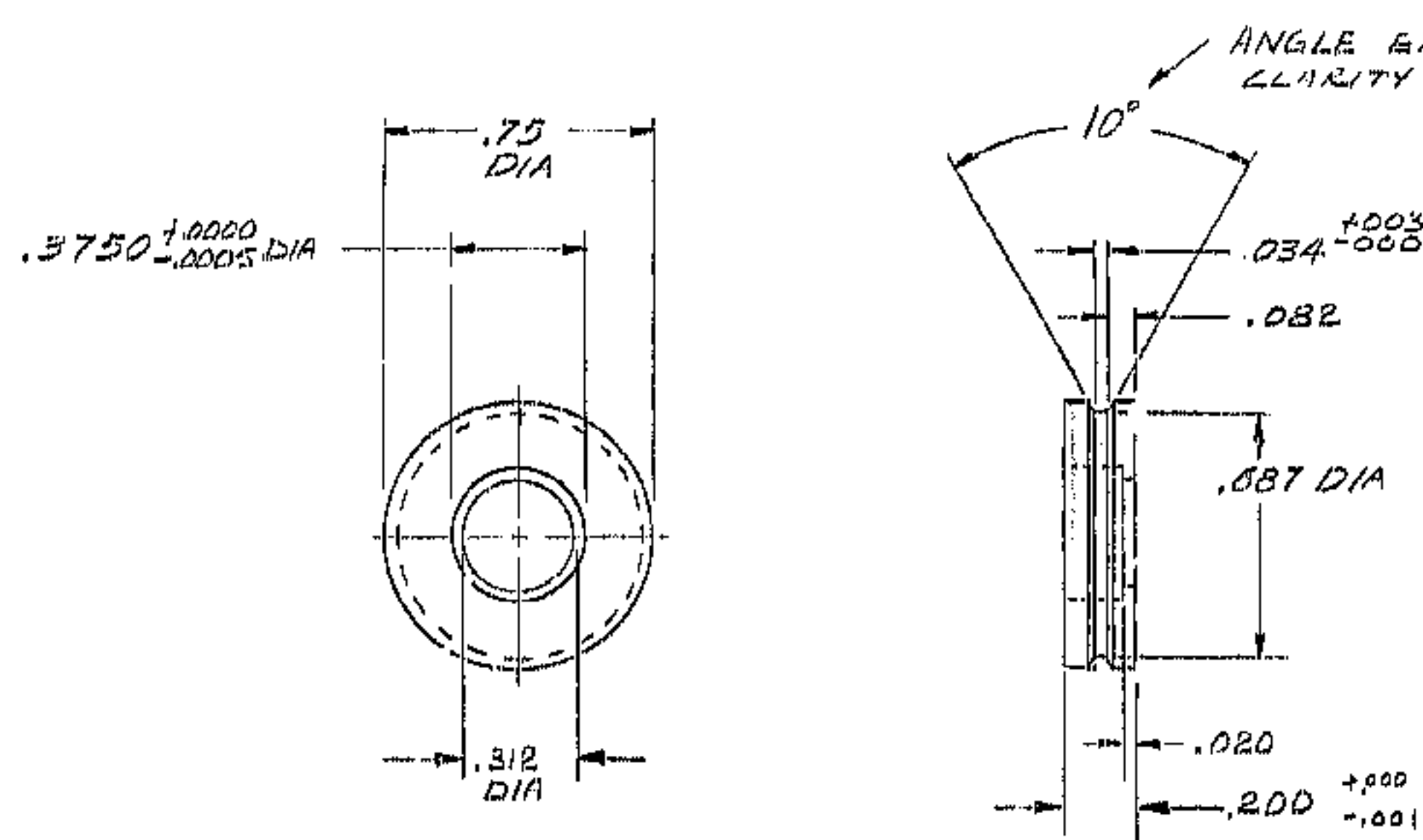


BILL OF MATERIAL

ITEM	QTY	MATERIAL	DESCRIPTION	WEIGHT
------	-----	----------	-------------	--------

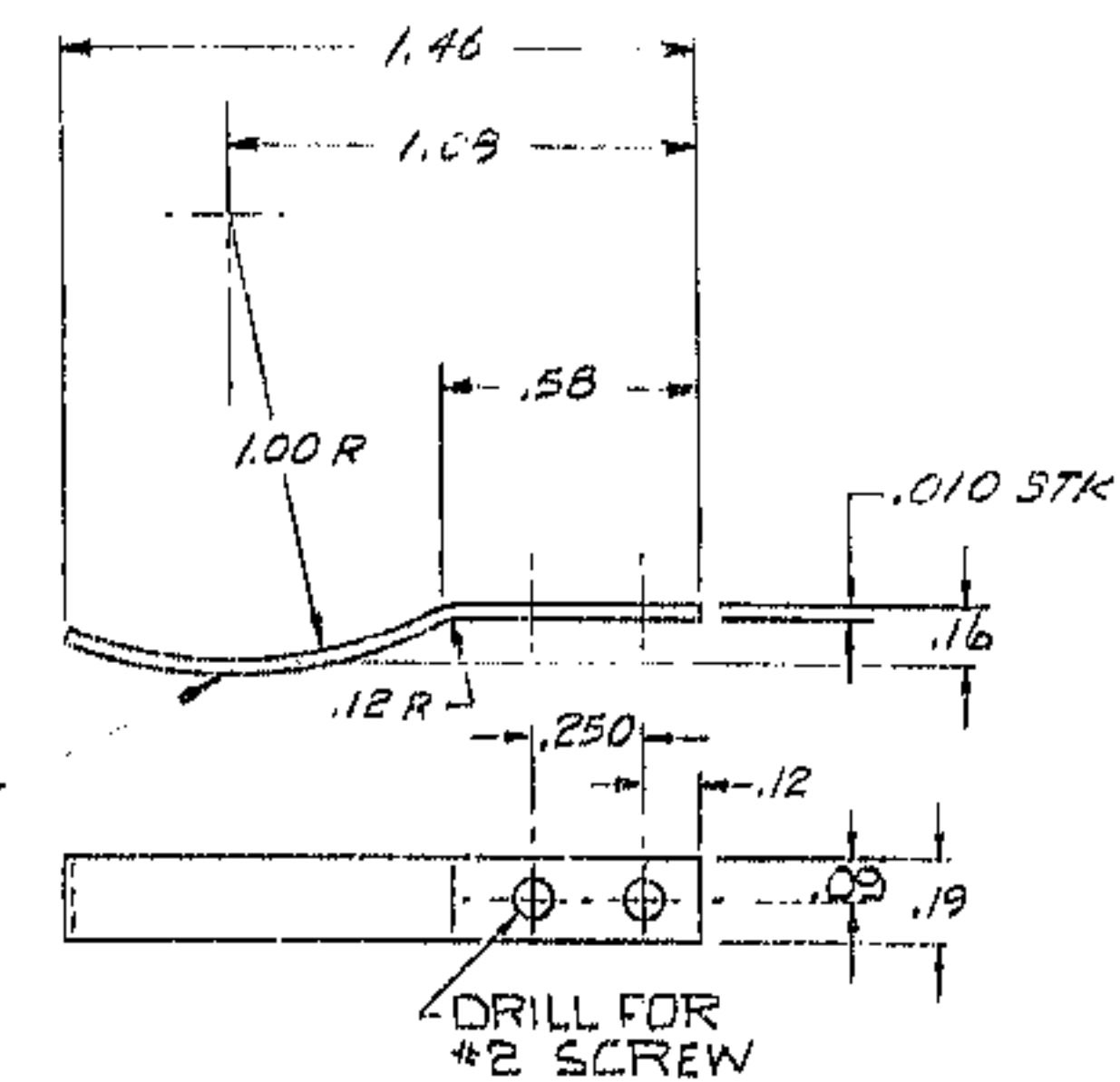


D5-1 SPRING BASE  
1 REQD 2024-T351 AL  
HARD ANODIZE

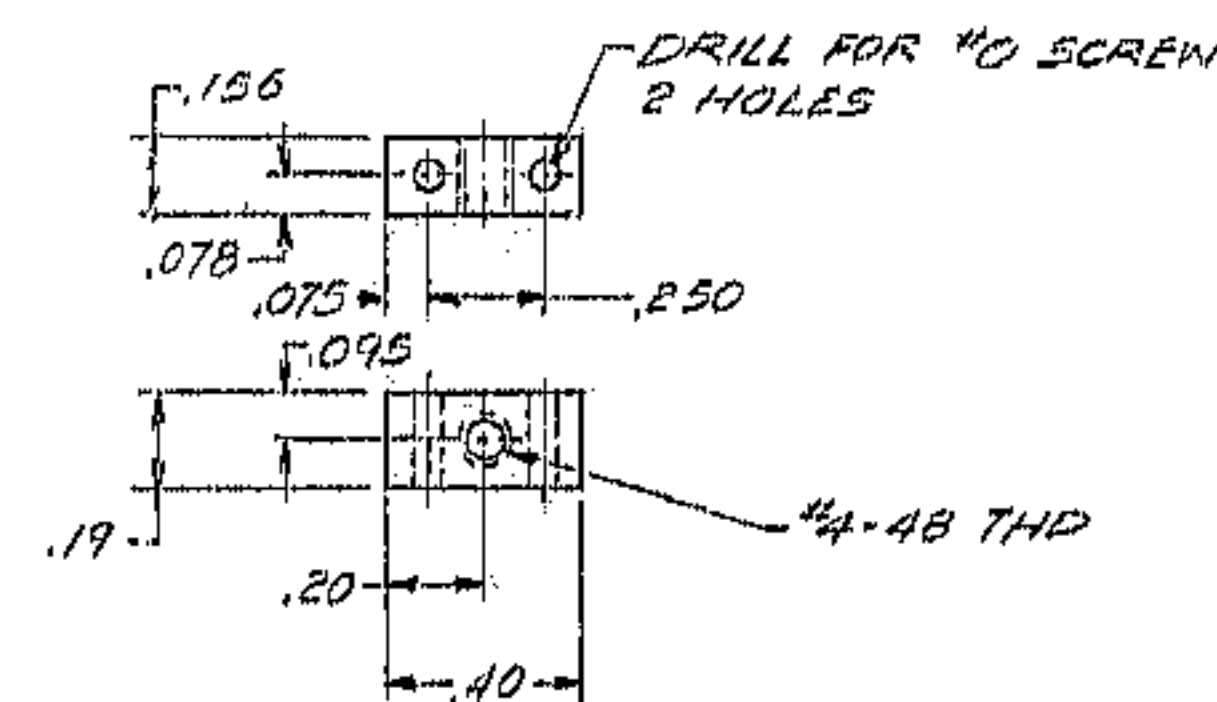


D5-3 MASK ROLLER  
1 REQD SST  
OPTICAL BLACK CHEMICALLY

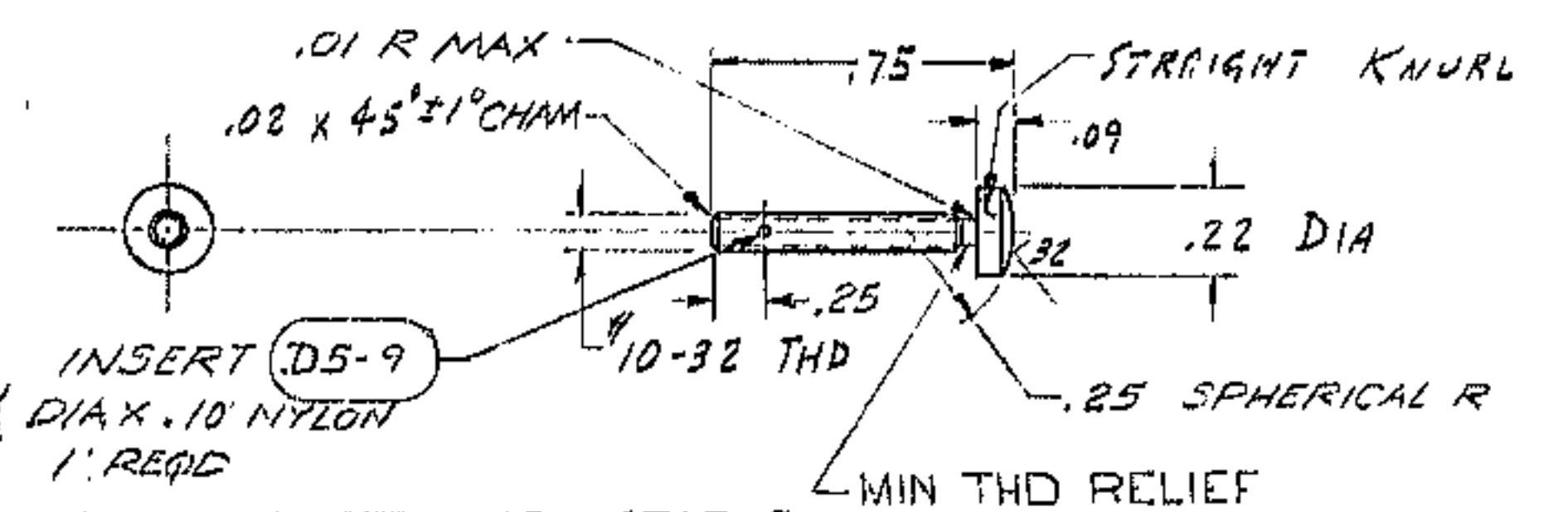
POLISH CONTACT AREA 16/



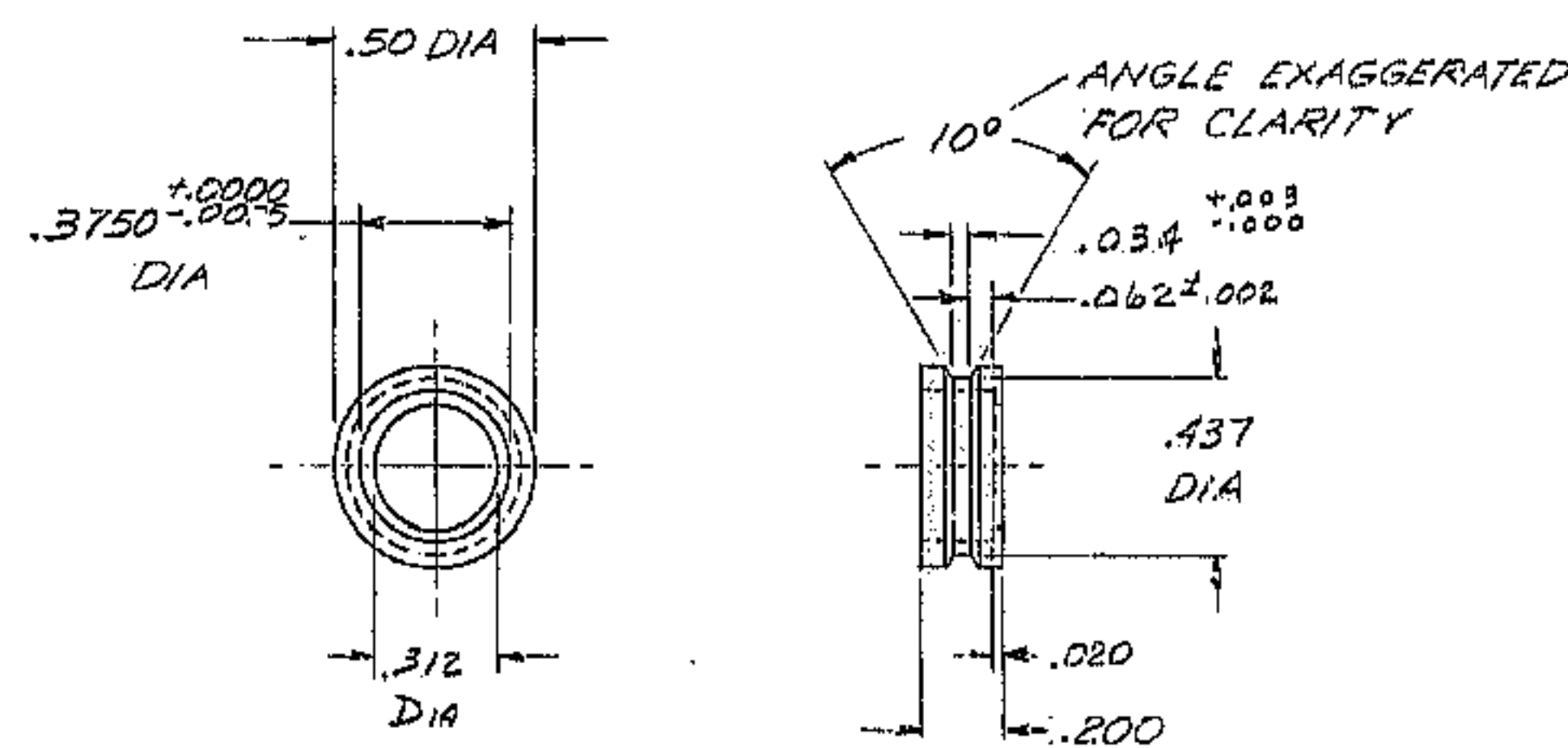
D5-6 SPRING-SKYLIGHT SUPPRESSOR  
6 REQD BERYLLIUM COPPER  
OPTICAL BLACK CHEMICALLY



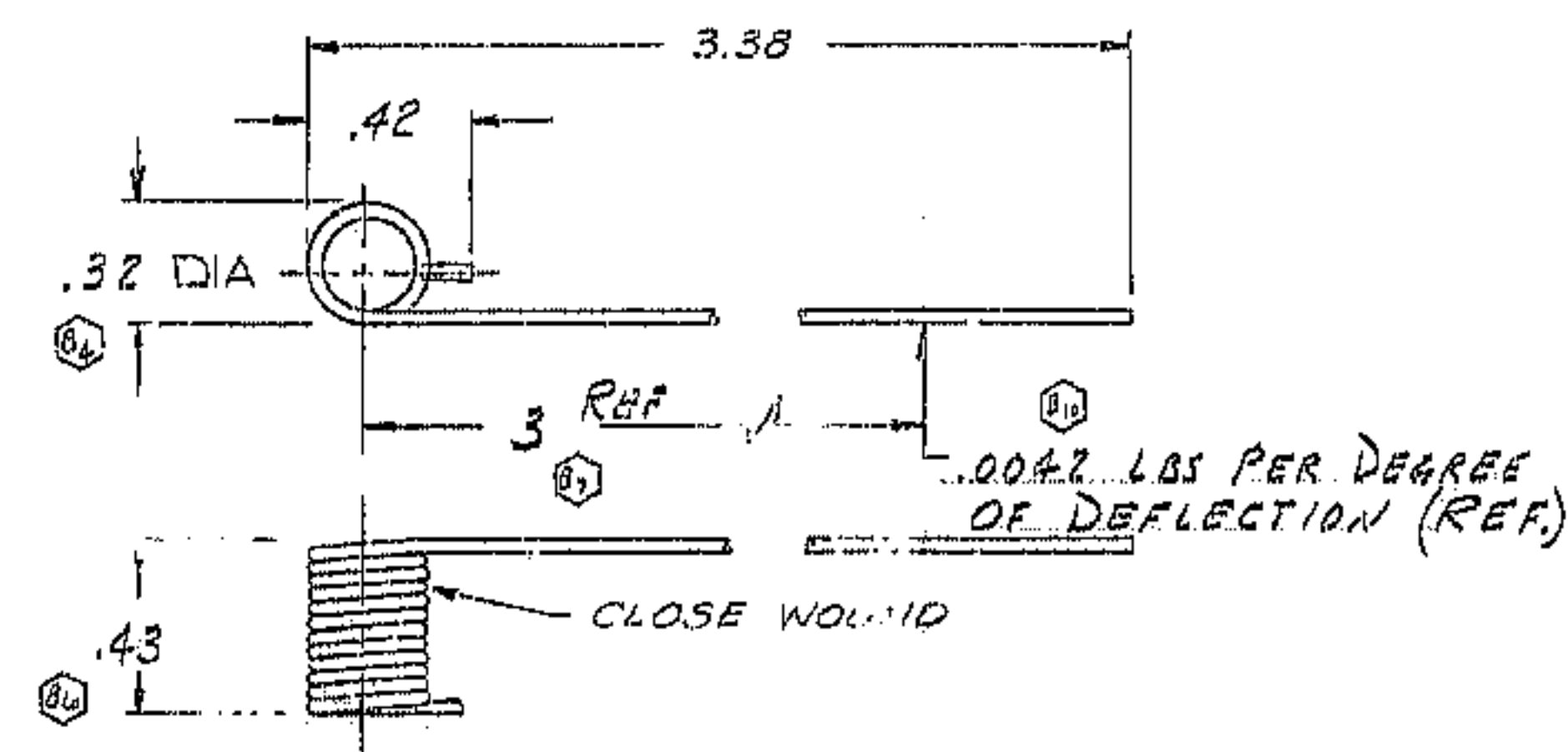
D5-4 BALL FLUNGER BLOCK  
2 REQD -2024-T351 AL  
BLACK SULFURIC ANODIZE



D5-8 PUSH ROD BUTTON-ADJUSTABLE  
1 REQD DRILL ROD HDN TO R/C 58-60  
OPTICAL BLACK CHEMICALLY

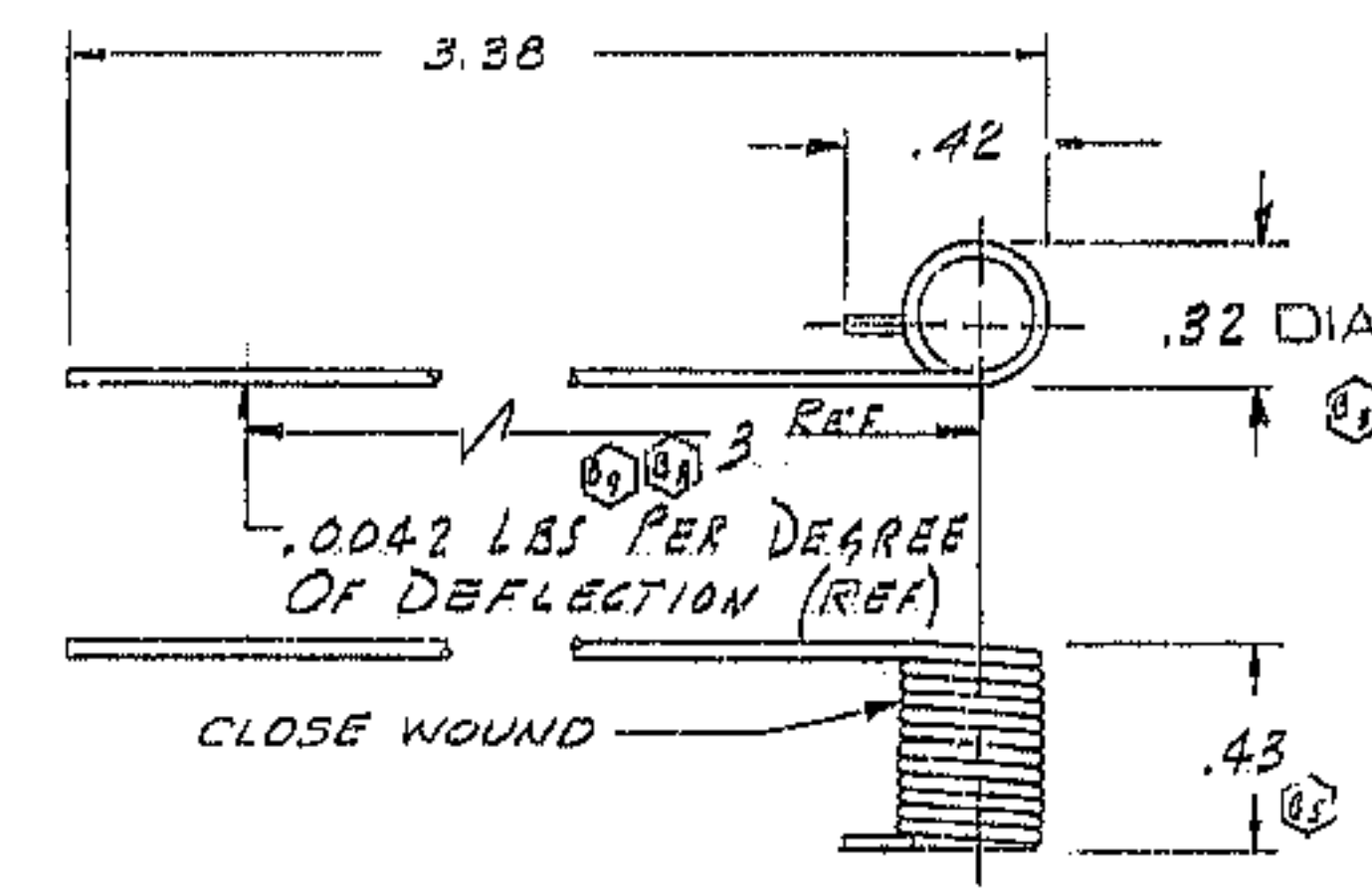


D5-2 MASK ROLLER  
2 REQD SST  
OPTICAL BLACK CHEMICALLY  
(USED ON 2131.004 C50)



D5-5 TORSION SPRING-LEFT HAND  
1 REQD #21 GAGE (.047) DIA  
SST WIRE  
OPTICAL BLACK CHEMICALLY

HEAT TREATMENT  
1. HEAT TO 500°F.  
2. SOAK FOR 15 MINUTES  
3. COOL TO ROOM TEMP. IN STILL AIR



D5-7 TORSION SPRING-RIGHT HAND  
1 REQD #21 GAGE (.047) DIA  
SST WIRE  
OPTICAL BLACK CHEMICALLY  
HEAT TREATMENT SAME AS ITEM 5

REV	DESCRIPTION	DATE	BY	APP
A	REVISED TO AS BUILT	1017	5-31-73	PP
B	1. 21 GA (.047) WAS 12 GA (.035) WIRE			
	2. 1.32 DIA WAS 1.43 DIA WAS			
	3. .32 DIA WAS .30 DIA WAS			
	4. .43 WAS .46 WAS			
	REF. 1. ADDED .0042 LBS			
B	1. ADDED .0042 LBS			
C	REVISED AS BUILT	1454	8-7-75	PP
D	ADDED USED ON 2131.004 C50	2383	11/11/80	AP

5- DIMENSIONS APPLY AFTER COATING  
4- IDENTIFY BY \_\_\_\_\_ AT LOCATION 4 "AURA INC. MADE IN U.S.A."  
3- STAMP MATCH MARKS ON ALL MATING PARTS WHERE NECESSARY.  
2- PROJECT DRAWINGS \_\_\_\_\_  
1- FOR NEXT ASSY. SEE 2131.004-E15  
NOTES-

<b>KITT PEAK NATIONAL OBSERVATORY</b>	
OPERATED BY THE ASSOCIATION OF UNIVERSITIES FOR RESEARCH IN ASTRONOMY, INC. UNDER CONTRACT WITH NATIONAL SCIENCE FOUNDATION	
150" TELESCOPE	REF. FILE 1310
NAME CASSEGRAIN SPECTROGRAPH SLIT ASSEMBLY DETAILS	
SCALE 2/1	PRINT ISSUED
DESIGNED BY A. PETER	DATE 11-23-71
APPROVED BY W. J. WILKINSON	DATE 11-23-71
DRAWN BY W. J. WILKINSON	DATE 11-23-71
CHECKED BY W. J. WILKINSON	DATE 11-23-71
DRAWING NUMBER 2131.004-D5	
REV. D	