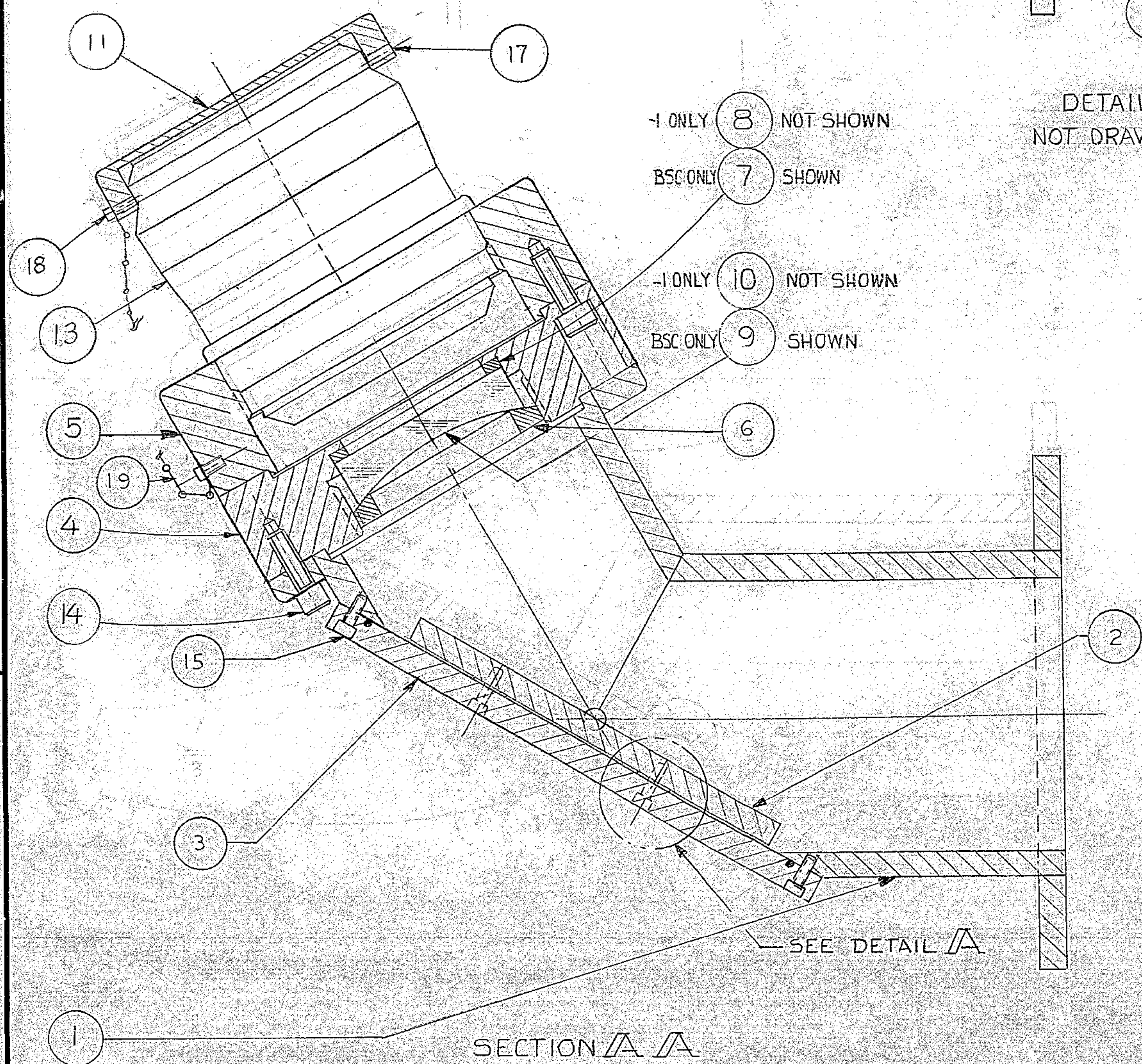
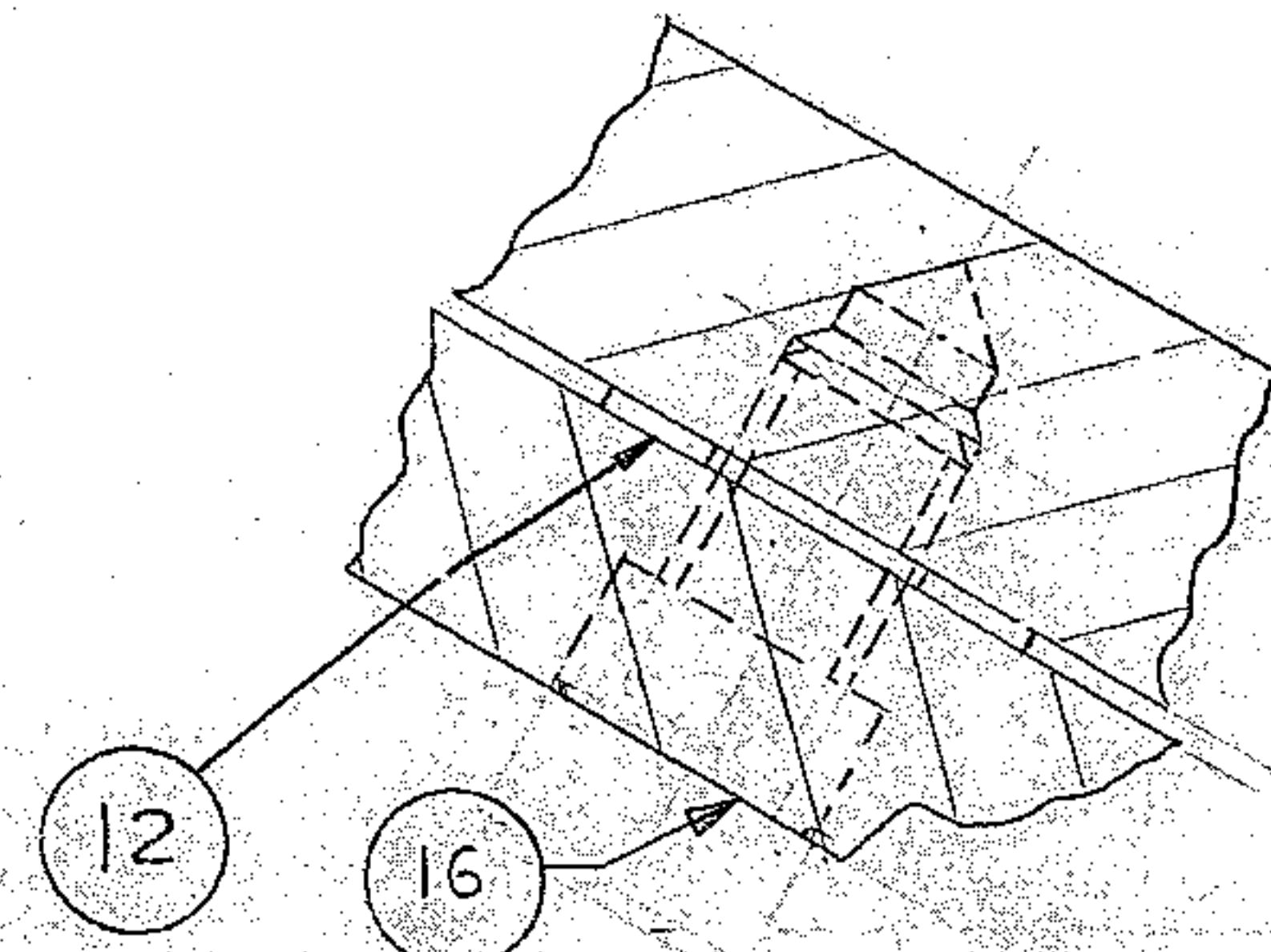
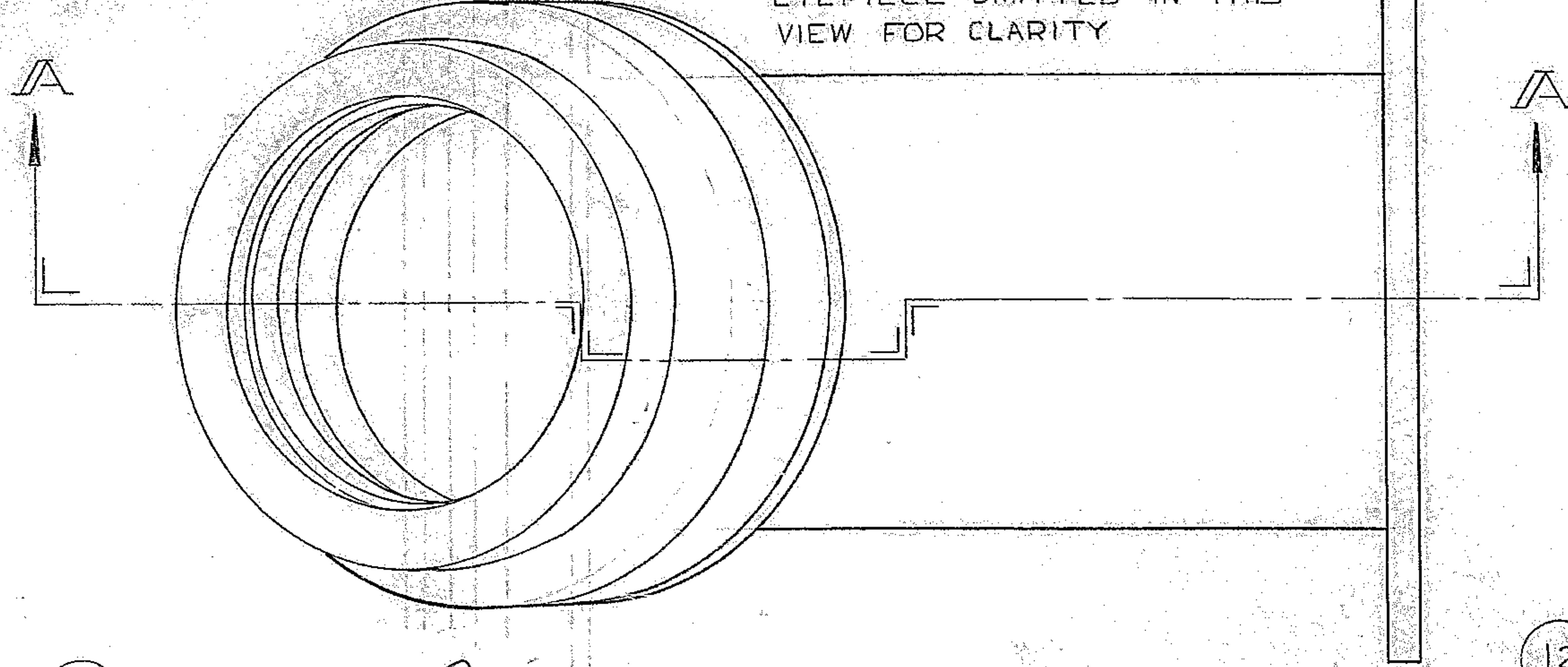


NOTES: UNLESS OTHERWISE NOTED

1. REMOVE ALL BURRS AND SHARP EDGES — R MAX
2. MACHINED SURFACE ROUGHNESS $125/\sqrt{\text{in}}$
3. FILL SOCKETS WITH WAX AFTER FINAL ASSY

EYEPIECE OMITTED IN THIS VIEW FOR CLARITY



DETAIL A
NOT DRAWN TO SCALE

ALTER TO $5/16$

REVISIONS						
ZONE	LTR	DESCRIPTION	ECR	DATE	BY	APVD
	A	PICTURE REVISION ONLY	1029	6-26-73	JS	MAC

AR	AR	DESCRIPTION	MATERIAL / SPECIFICATION	ITEM NO.	
		*360811 5FT LG CHAIN	MCMaster - CARR	19	
2	2	*4-40 x $3/16$ SOC HD CAP SCR	SST	18	
3	3	ADB-50710 BALL PLUNGER	AMERICAN	17	
3	3	SOC HD CAP SCR *4-40 x $3/8$	SST	16	
6	6	SOC HD CAP SCR *4-40 x $3/8$	SST	15	
6	6	SOC. HD. CAP SCREW #10-32 x $5/8$	SST	14	
13	1	EYEPIECE IEI405 JAEGER'S		13	
3	3	B3-47 SHIM SPACER	PIC	12	
1	1	2131.004-B74	EYEPIECE DUST COVER	11	
1	-	-C11-1	FIELD FLATTENER REAR SLIT	10	
-	1	-C11-2	FIELD FLATTENER FRONT SLIT	9	
1	-	-B76	SPACER REAR SLIT	8	
-	1	-B75	SPACER FRONT SLIT	7	
1	1	-B71	RETAINER	6	
1	1	-C32	EYEPIECE HOLDER	5	
1	1	-C31	FIELD FLATTENER HOLDER	4	
1	1	-C30	MIRROR MOUNTING PLATE	3	
1	1	-C28	FIRST SURFACE MIRROR	2	
1	1	2131.004-E121	WELDMENT-EYEPIECE	1	
QTY REQD	BSC	PART OR IDENTIFYING NO.	DESCRIPTION	MATERIAL / SPECIFICATION	ITEM NO.

PARTS LIST

TOLERANCES UNLESS OTHERWISE NOTED
 DECIMALS FRACTIONS ANGULAR
 .XX ± .03 ± — ± 0° 30'
 .XXX ± .010

KITT PEAK NATIONAL OBSERVATORY
 OPERATED BY THE
 ASSOCIATION OF UNIVERSITIES FOR RESEARCH IN ASTRONOMY, INC.
 UNDER CONTRACT WITH
 NATIONAL SCIENCE FOUNDATION

NEXT ASSEMBLY	NAME	REF FILE
BSC 2131.004-E117 -1 2131.004-E119	FRONT AND REAR SLIT VIEWER EYEPIECE ROTATIONAL ASSY. - CASS SPECT	1310
SCALE 1/1	DESIGNED BY FOHLMAN DATE 3-73	APPROVED BY MANEY DATE 4-1-73
PRINT ISSUED	DRAWN BY C. FOHLMAN DATE 3-15-73	APPROVED BY DATE
	CHECKED BY JESHIVELY DATE 4-3-73	APPROVED BY DATE
		DWG NO. 2131.004-C13
		REV. A
		RELEASE DATE 4-20-73