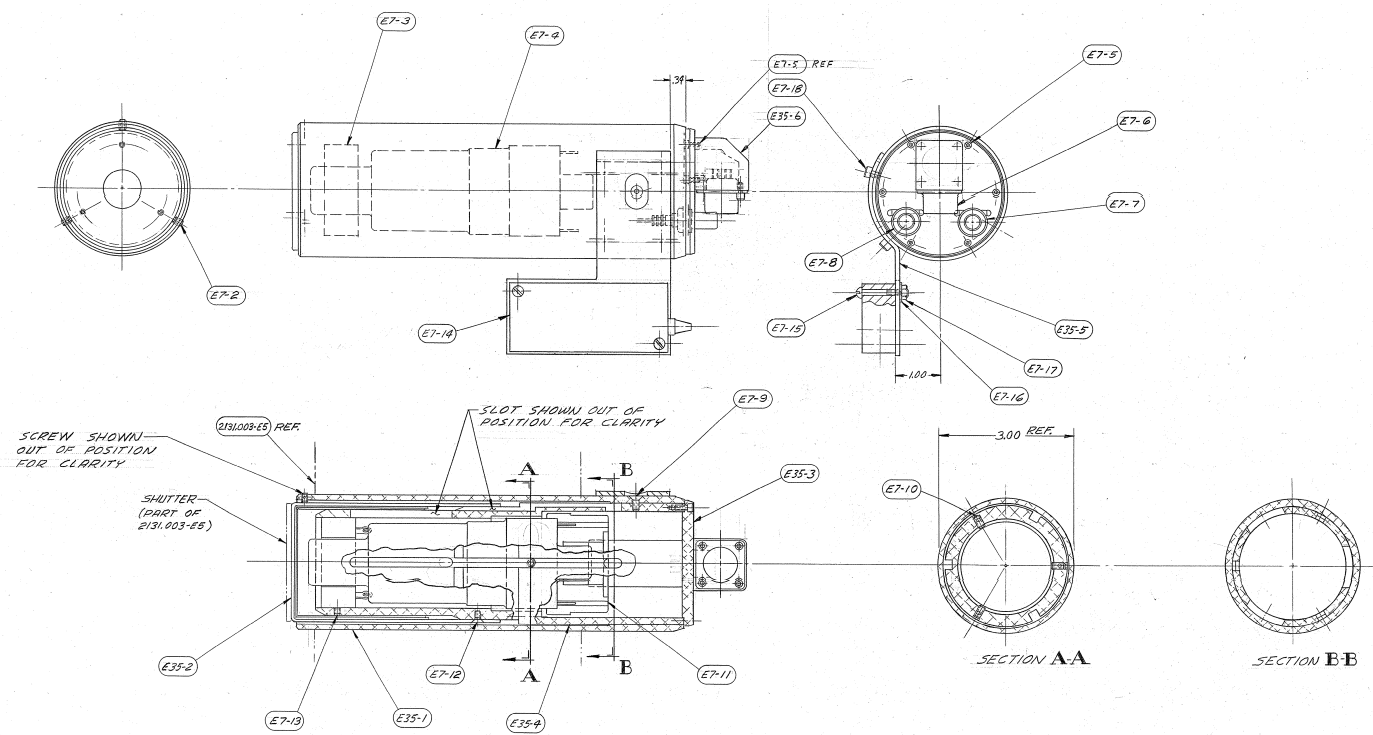


BILL OF MATERIAL				
ITEM	QTY	MATERIAL	DESCRIPTION	REMARKS
2131003-E1	1		CASSEGRAIN GUIDER	
			PHOTO-TUBE ASSEMBLY	
E7-2	3	CRES	#2-40 x 3/16 CUP PT. SOC. SET SCR. NIKK	
E7-3	1	STD.	F4512 DEFLECTION YOKE -	
			ITT INDUSTRIAL LAB.	
E7-4	1	STD.	SELECTED FW 130 PHOTO-MULTIPLIER	
			TUBE - ITT INDUSTRIAL LAB.	
E7-5	14	CRES	#4-40 x 1/8 50% HD. SCR.	
E7-6	1	STD.	BEADON #7029-12 BE CONNECTOR @ 10000	
E7-7	1	STD.	ORGE #95712-3681-1 HIGH VOLTAGE	
			BAG CONNECTOR (HW NO. KUT4-15)	
E7-8	1	STD.	ORGE #95712-4831-1 CONNECTOR	
E7-9	3	STEEL	#6-32 x 3/8 FLAT HD. SOC. SCR.	
E7-10	3	CRES	#8-32 x 5/16 NYLOC SOC. SET SCR.	
E7-11	1	STD.	7080C #8-00-102 20 AWG BASE OR EQUAL	
E7-12	3	STEEL	#4-40 x 1/8 FLAT HD. SOC. SCR.	
E7-13	1	CRES	#6-40 x 1/8 CUP PT. SOC. SET SCR.	
E7-14	1	STD.	SPIGOM ELECTRONICS PULSE AMPLIFIER	
			DISCONTINUED - MODEL 101-132	
E7-15	2	CRES	#6-32 x 1" RND HD MACH. SCR.	
E7-16	2	STEEL	#6 LOCK WASHER	
E7-17	2	CRES	#6-32 HEX NUT	
E7-18	4	CRES	#6-32 x 1/8 SOC HD CAP SCR.	

ALTER 3" DIA PT.
(ON HAND)



SCREW SHOWN
OUT OF POSITION
FOR CLARITY

SLOT SHOWN OUT OF
POSITION FOR CLARITY

SHUTTER
(PART OF
2131.003-E5)

(E7-1) CASSEGRAIN GUIDER
PHOTO TUBE ASSEMBLY
2 REQ'D

PROJECT DWG5: 2131.003-E35

FOR ASSEMBLY SEE 2131.003-E1

TOLERANCES UNLESS OTHERWISE SPECIFIED		KITT PEAK NATIONAL OBSERVATORY	
FRACTIONAL DIMENSIONS UP TO 24" 1/16" 1/32" 1/64" 1/128" 1/256" 1/512" 1/1024"		ASSOCIATION OF UNIVERSITIES FOR RESEARCH IN ASTRONOMY, INC.	
DECIMAL DIMENSIONS UP TO 24" 0.005" 0.010" 0.020" 0.050" 0.100" 0.250" 0.500" 1.000"		NATIONAL SCIENCE FOUNDATION	
BEND SHARP CORNERS TO HAVE FINISH UNLESS OTHERWISE NOTED		150" TELESCOPE	
ALL DIMENSIONS TO HAVE FINISH UNLESS OTHERWISE NOTED		CASSEGRAIN GUIDER	
DRAWING NUMBER		SCALE FULL	
2131.003-E7		PRINT ISSUED	
DATE	BY	DATE	BY
11/16/73	AAA		