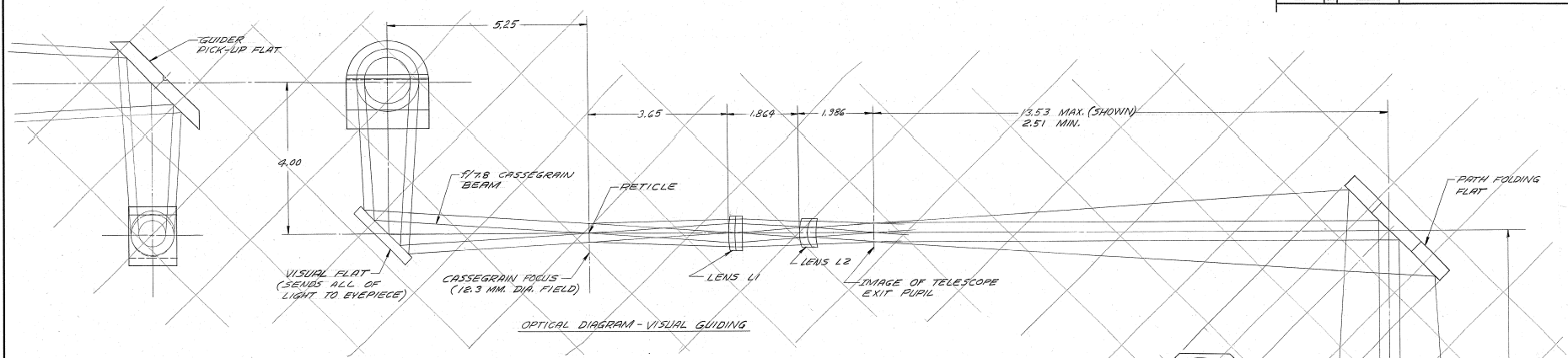
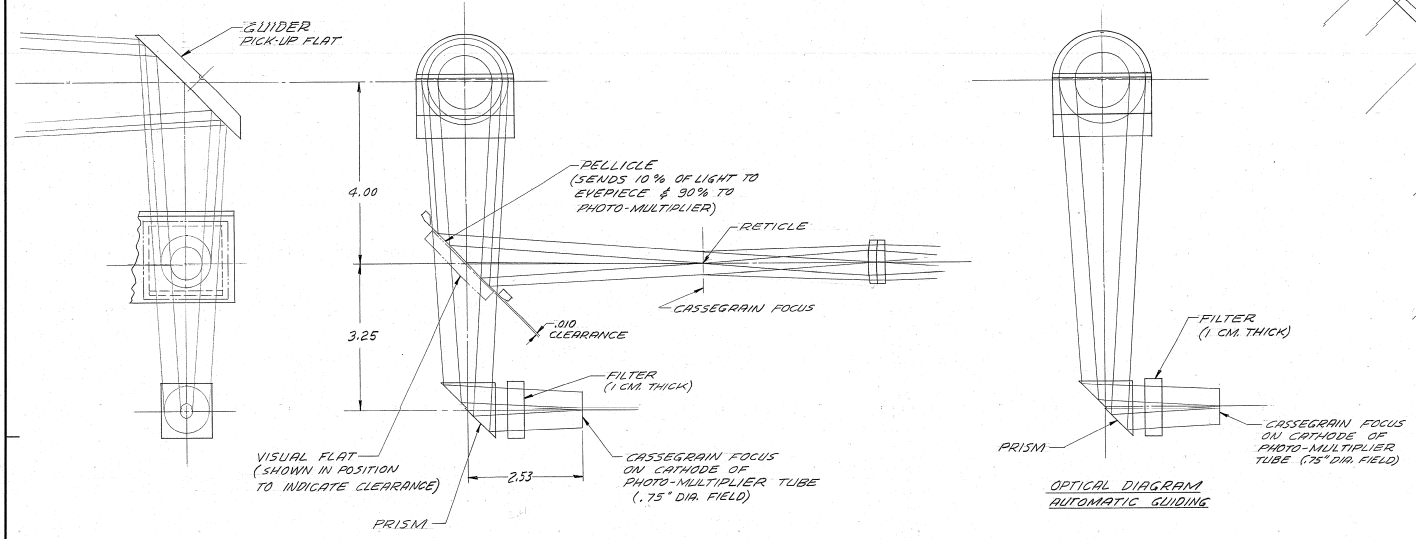


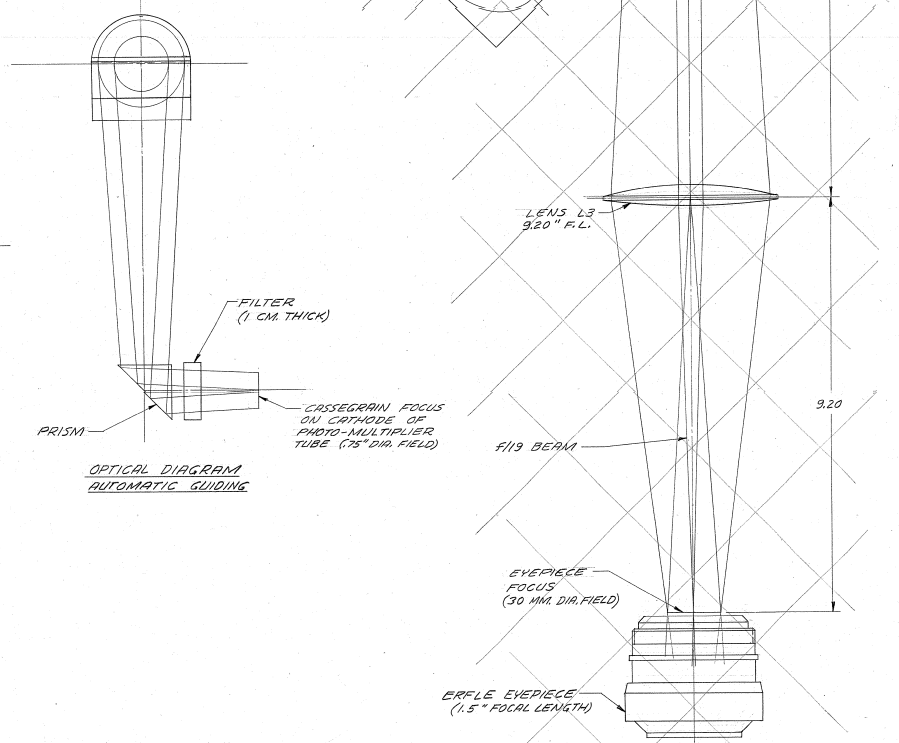
BILL OF MATERIAL				
ITEM	QTY	MATERIAL	DESCRIPTION	WEIGHT



OPTICAL DIAGRAM - VISUAL GUIDING



OPTICAL DIAGRAM - AUTOMATIC GUIDING WITH VISUAL MONITORING



OPTICAL DIAGRAM AUTOMATIC GUIDING

FOR ASSEMBLY SEE 2131.003-E1				
TOLERANCES UNLESS OTHERWISE NOTED	KITT PEAK NATIONAL OBSERVATORY			
DIMENSIONS UNLESS OTHERWISE NOTED	ASSOCIATION OF UNIVERSITIES FOR RESEARCH IN ASTRONOMY, INC.			
FRACTIONAL DIMENSIONS UP TO 1/16 OF AN INCH TO 1/32 & 1/16	NATIONAL SCIENCE FOUNDATION			
BREAK SHARP EDGES TO HAVE V FINISH UNLESS OTHERWISE NOTED	150" TELESCOPE		REF. FILE 1301	
	CASSEGRAIN GUIDER OPTICAL LAYOUT		SCALE FULL PRINT ISSUED	
DESIGNED BY	DRAWN BY	CHECKED BY	DATE	REV.
APPROVED BY	DATE	DATE	DATE	2131.003-E 2