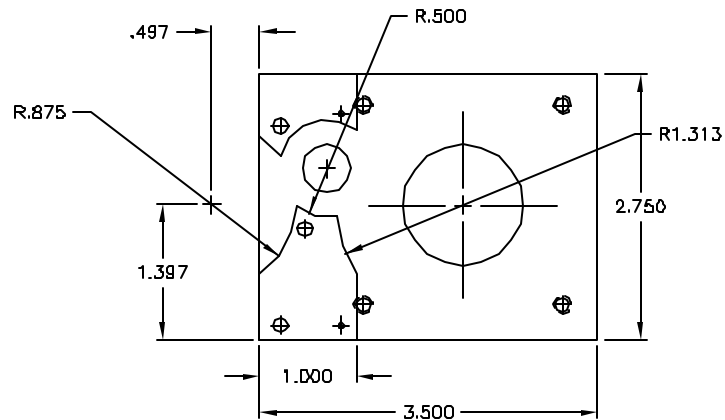
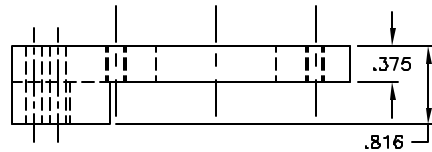
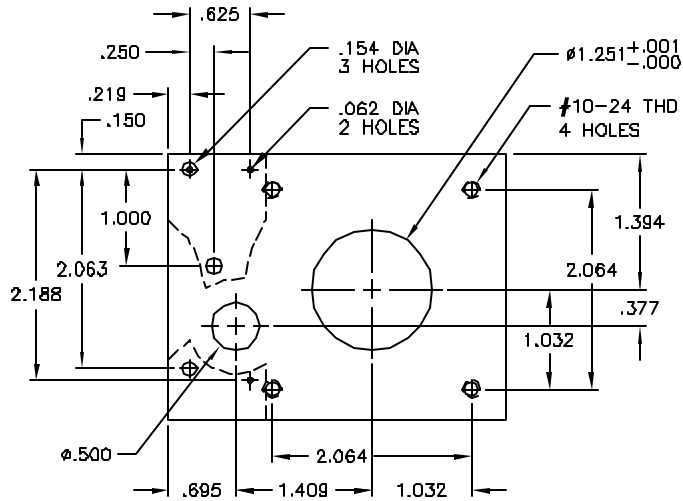


NOTES: UNLESS OTHERWISE SPECIFIED

1. REMOVE ALL BURRS AND SHARP EDGES $\pm .015$
2. MACHINED SURFACE ROUGHNESS 125 ✓
3. MAT'L: ALUMINUM ALLOY 6061-T6
4. FINISH: BLACK ANODIZE

REVISIONS					
ZONE	LTR	DESCRIPTION	ECR	DATE	BY / APPR



QTY REQD	PART OR IDENTIFYING NO	DESCRIPTION	MATERIAL/SPECIFICATION	ZONE	ITEM NO
TOLERANCES UNLESS OTHERWISE NOTED		NATIONAL OPTICAL ASTRONOMY OBSERVATORIES			
DECIMALS		OPERATED BY THE			
.XX ± .03		ASSOCIATION OF UNIVERSITIES FOR RESEARCH IN ASTRONOMY			
FRACTIONS		UNDER COOPERATIVE AGREEMENT WITH			
.XXX ± .010		NATIONAL SCIENCE FOUNDATION			
NEXT ASSEMBLY		NAME		REF FILE	
2131.003E5		WAVEFRONT CAMERA—		1301	
		ENCODER BRACKET		USED ON	
		CAMERA DRIVE			
SCALE	DESIGNED BY	DATE	APPROVED BY	DATE	DWG NO
FULL					2131.003C9
DRAWING PRODUCED USING	DRAWN BY	DATE	APPROVED BY	DATE	
AUTOCAD v.14	J.HOEY	3/6/01			
PRINT REVIEW	CHECKED BY	DATE	APPROVED BY	DATE	RELEASED
					SHEET OF