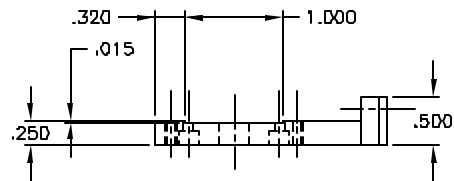
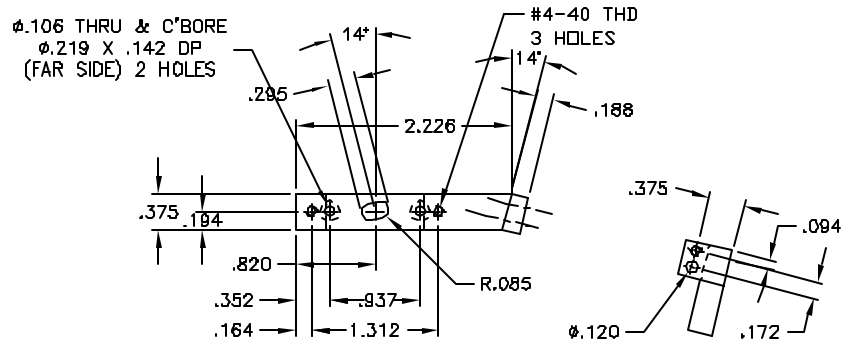
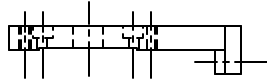


NOTES: UNLESS OTHERWISE SPECIFIED

1. REMOVE ALL BURRS AND SHARP EDGES .015
2. MACHINED SURFACE ROUGHNESS 125 ✓
3. MAT'L: ALUMINUM ALLOY 6061-T6
4. FINISH: BLACK ANODIZE

REVISIONS					
ZONE	LTR	DESCRIPTION	ECR	DATE	BY / APPR



QTY REQD	PART OR IDENTIFYING NO	DESCRIPTION	MATERIAL/SPECIFICATION	ZONE	ITEM NO
TOLERANCES UNLESS OTHERWISE NOTED		NATIONAL OPTICAL ASTRONOMY OBSERVATORIES			
DECIMALS		OPERATED BY THE			
.XX ± .03		ASSOCIATION OF UNIVERSITIES FOR RESEARCH IN ASTRONOMY			
FRACTIONS		UNDER COOPERATIVE AGREEMENT WITH			
.XXX ± .010		NATIONAL SCIENCE FOUNDATION			
ANGULAR		REF FILE			
± 0°30'		NAME		1301	
NEXT ASSEMBLY		WAVEFRONT CAMERA-		USED ON	
2131.003E5		PRISM ADJUSTMENT ARM			
SCALE	DESIGNED BY	DATE	APPROVED BY	DATE	DWG NO
FULL & NOTED					2131.003C7
DRAWING PRODUCED USING	BRAIN BY	DATE	APPROVED BY	DATE	REV
AUTOCAD v.14	J.HOEY	12/5/00			
PRINT REVIEW	CHECKED BY	DATE	APPROVED BY	DATE	RELEASED
SHEET				OF	