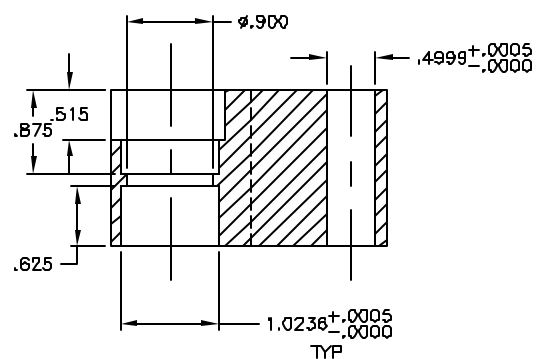
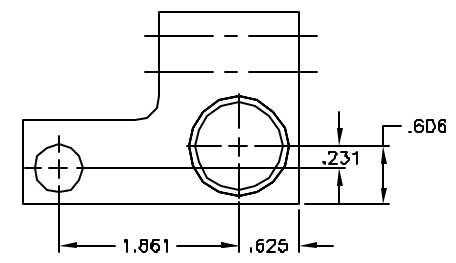
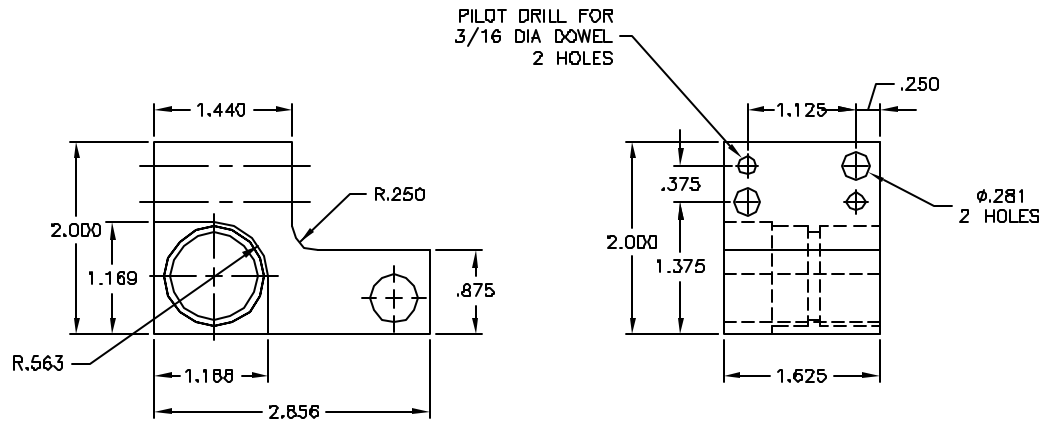


NOTES: UNLESS OTHERWISE SPECIFIED

1. REMOVE ALL BURRS AND SHARP EDGES .015
2. MACHINED SURFACE ROUGHNESS 125 ✓
3. MAT'L: ALUMINUM ALLOY 6061-T6
4. FINISH: BLACK ANODIZE

REVISIONS					
ZONE	LTR	DESCRIPTION	ECR	DATE	BY / APPR



QTY REQD	PART OR IDENTIFYING NO	DESCRIPTION	MATERIAL/SPECIFICATION	ZONE	ITEM NO
TOLERANCES UNLESS OTHERWISE NOTED		NATIONAL OPTICAL ASTRONOMY OBSERVATORIES			
DECIMALS		OPERATED BY THE			
.XX ± .03		ASSOCIATION OF UNIVERSITIES FOR RESEARCH IN ASTRONOMY			
.XXX ± .010		UNDER COOPERATIVE AGREEMENT WITH			
		NATIONAL SCIENCE FOUNDATION			
NEXT ASSEMBLY 2131.003E4		NAME WAVEFRONT CAMERA- BEARING BLOCK, "X" SCREW		REF FILE 1301	
				USED ON	
SCALE FULL	DESIGNED BY J.HOEY	DATE 11/6/00	APPROVED BY	DATE	REV 2131.003C4
DRAWING PRODUCED USING AUTOCAD v.14	CHECKED BY	DATE	APPROVED BY	DATE	RELEASED
PRINT ISSUED				SHEET	OF