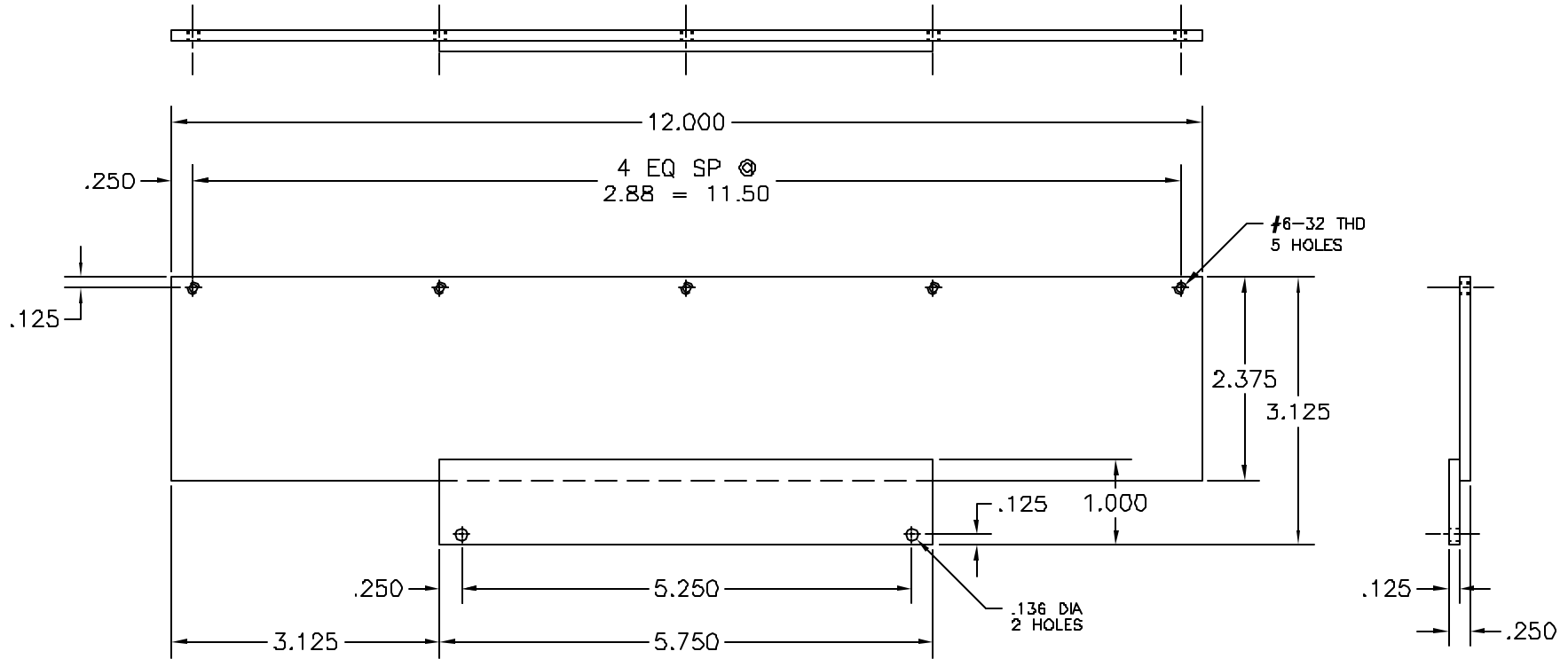


NOTES: UNLESS OTHERWISE SPECIFIED

1. REMOVE ALL BURRS AND SHARP EDGES .015
2. MACHINED SURFACE ROUGHNESS 125 ✓
3. MAT'L: ALUMINUM ALLOY 6061-T6
4. FINISH: BLACK ANODIZE

REVISIONS					
ZONE	LTR	DESCRIPTION	ECR	DATE	BY / APPR



QTY REQD	PART OR IDENTIFYING NO	DESCRIPTION	MATERIAL/SPECIFICATION	ZONE	ITEM NO
TOLERANCES UNLESS OTHERWISE NOTED		NATIONAL OPTICAL ASTRONOMY OBSERVATORIES OPERATED BY THE ASSOCIATION OF UNIVERSITIES FOR RESEARCH IN ASTRONOMY UNDER COOPERATIVE AGREEMENT WITH NATIONAL SCIENCE FOUNDATION			
DECIMALS					
.XX ± .03	FRACTIONS	ANGULAR			
.XXX ± .010	± -	± 0'30"			
.XXXX ± .0005					
NEXT ASSEMBLY 2131.003E11	NAME WAVEFRONT CAMERA- CABLE BRACKET, LONG	REF FILE 1301	USED ON		
SCALE FULL	DESIGNED BY J. HOEY	DATE 6/7/01	APPROVED BY	DATE	DWG NO 2131.003C16
DRAWING PRODUCED USING AUTOCAD v.14	CHECKED BY	DATE	APPROVED BY	DATE	RELEASED
PRINT REVISED					SHEET OF