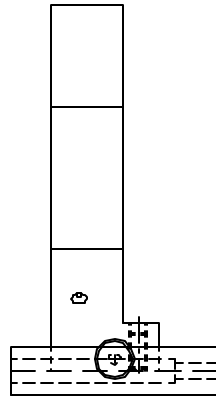
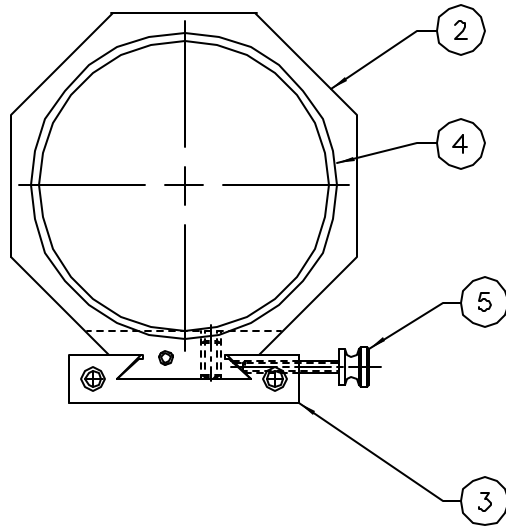


NOTES: UNLESS OTHERWISE SPECIFIED

REVISIONS					
ZONE	LTR	DESCRIPTION	ECR	DATE	BY / APPR



QTY REQD	PART OR IDENTIFYING NO	DESCRIPTION	MATERIAL/SPECIFICATION	ZONE	ITEM NO
				10	10
				9	9
				8	8
				7	7
				6	6
1		#6-32	KNURLED THUMB SCREW BRASS	5	5
1	322242	ACHROMAT DOUBLET	SPINDLER & HOYER	4	4
1	2131.003A26	LENS SLIDE BASE		3	3
1	2131.003B29	LENS MOUNT, DOUBLET		2	2
				1	1

TOLERANCES UNLESS OTHERWISE NOTED DECIMALS .XX ± .03 FRACTIONS ± - ANGULAR ± 0°30'		NATIONAL OPTICAL ASTRONOMY OBSERVATORIES OPERATED BY THE ASSOCIATION OF UNIVERSITIES FOR RESEARCH IN ASTRONOMY UNDER COOPERATIVE AGREEMENT WITH NATIONAL SCIENCE FOUNDATION	
NEXT ASSEMBLY 2131.003E54	NAME WAVEFRONT CAMERA- ADJUSTABLE LENS MOUNT	REF FILE 1301	USED ON
SCALE FULL	DESIGNED BY DATE	APPROVED BY DATE	DWD NO 2131.003C14
DRAWING PRODUCED USING AUTOCAD v.14	DRAWN BY J.HOEY 5/18/01	DATE APPROVED BY DATE	REV 1