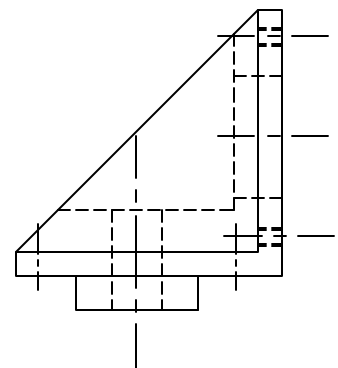
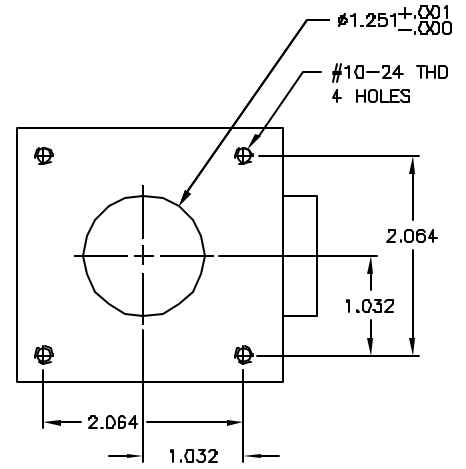
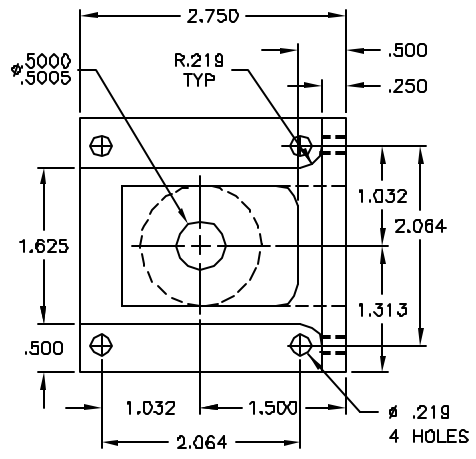
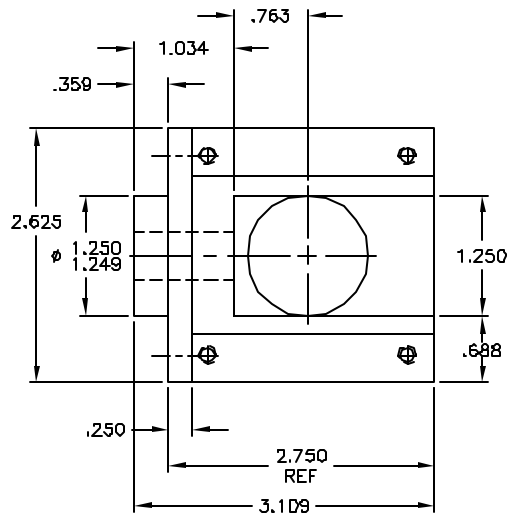


NOTES: UNLESS OTHERWISE SPECIFIED

1. REMOVE ALL BURRS AND SHARP EDGES $\pm .015$
2. MACHINED SURFACE ROUGHNESS 125 ✓
3. MAT'L: ALUMINUM ALLOY 6061-T6
4. FINISH: BLACK ANODIZE

REVISIONS					
ZONE	LTR	DESCRIPTION	ECR	DATE	BY / APPR



QTY REQD	PART OR IDENTIFYING NO	DESCRIPTION	MATERIAL/SPECIFICATION	ZONE	ITEM NO
TOLERANCES UNLESS OTHERWISE NOTED		NATIONAL OPTICAL ASTRONOMY OBSERVATORIES			
DECIMALS		OPERATED BY THE			
.XX ± .03		ASSOCIATION OF UNIVERSITIES FOR RESEARCH IN ASTRONOMY			
FRACTIONS		UNDER COOPERATIVE AGREEMENT WITH			
.XXX ± .010		NATIONAL SCIENCE FOUNDATION			
NEXT ASSEMBLY 2131.003E54		NAME WAVEFRONT CAMERA— ENCODER ANGLE BRACKET CAMERA DRIVE		REF FILE 1301	
SCALE FULL		DESIGNED BY J.HOEY		DATE 4/11/01	
DRAWING PRODUCED USING AUTOCAD v.14		DRAWN BY J.HOEY		DATE 4/11/01	
PART REVIEWED		CHECKED BY		DATE	
APPROVED BY		DATE		REV 2131.003C13	
APPROVED BY		DATE		RELEASED	
APPROVED BY		DATE		SHEET OF	