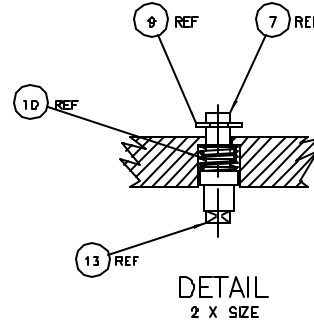
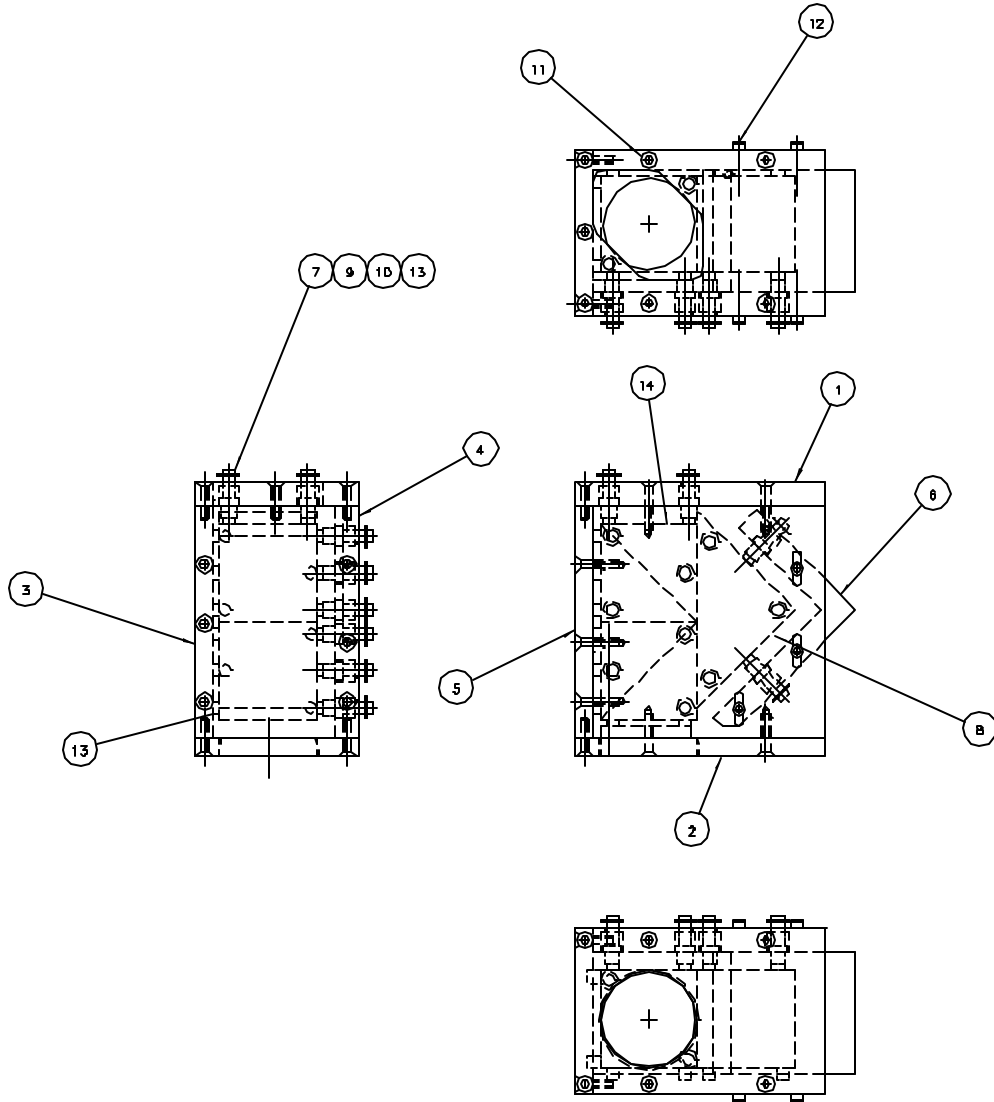


NOTES

1.

REVISIONS					
ZONE	LTR	REVISIONS	ECR	DATE	BY / APPR



				15
2	03-PBB-015	1/8λ BEAM SPLITTER CUBE (MELLES GRIOT)		14
32		NEOPRENE CORK DOT. .125 DIA. X .125 THK		13
6		2-56 X 7/16 SOC HD CAP SCREWS		12
19		2-56 X 7/16 FL HD SOC SCREWS		11
15	LC-014B-5	STAINLESS COMPRESSION SPRING (LEE)		10
15	Z3-1	EXTERNAL-E RING (P.I.C. DESIGN)		9
1	2131.003A13	RIGHT ANGLE PRISM		8
15	2131.003A16	PUSHER PIN, PRISM ASSY.		7
1	2131.003A15	ANGLE PLATE, PRISM ASSY.		6
1	2131.003A33	BOTTOM PLATE, PRISM ASSY.		5
1	2131.003A32	RIGHT PLATE, PRISM ASSY.		4
1	2131.003A31	LEFT PLATE, PRISM ASSY.		3
1	2131.003B18	FRONT PLATE, PRISM ASSY.		2
1	2131.003A14	TOP PLATE, PRISM ASSY.		1

QTY REQD	PART OR IDENTIFYING NO	DESCRIPTION	MATERIAL/SPECIFICATION	ZONE	ITEM NO
TOLERANCES UNLESS OTHERWISE NOTED		NATIONAL OPTICAL ASTRONOMY OBSERVATORIES			
DECIMALS		OPERATED BY THE			
.XX ± .03		ASSOCIATION OF UNIVERSITIES FOR RESEARCH IN ASTRONOMY			
FRACTIONS		UNDER COOPERATIVE AGREEMENT WITH			
.XXX ± .010		NATIONAL SCIENCE FOUNDATION			
NEXT ASSEMBLY		NAME		REF FILE	
2131.003E53		PRISM HOLDING ASSY.		1301	
				USED ON	
SCALE: FULL	DESIGNED BY	DATE	APPROVED BY	DATE	DWG NO
PRINT ISSUED	DRAWN BY	DATE	APPROVED BY	DATE	2131.003C11
	CHECKED BY	DATE	APPROVED BY	DATE	RELEASED
					SHEET OF