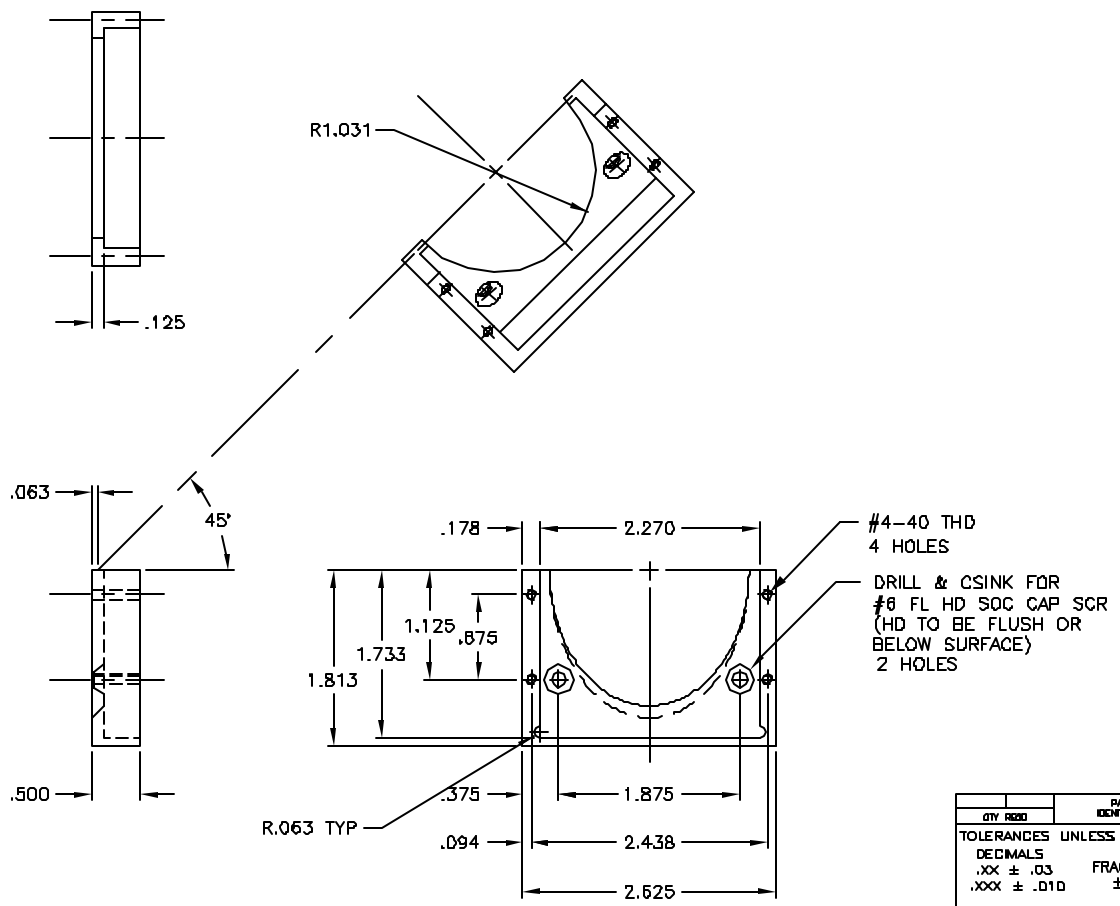


NOTES: UNLESS OTHERWISE SPECIFIED

- 1. REMOVE ALL BURRS AND SHARP EDGES .015
- 2. MACHINED SURFACE ROUGHNESS 125 ✓
- 3. MAT'L: ALUMINUM ALLOY 6061-T6
- 4. FINISH: BLACK ANODIZE

REVISIONS					
ZONE	LTR	DESCRIPTION	ECR	DATE	BY / APPR



QTY REQD	PART OR IDENTIFYING NO	DESCRIPTION	MATERIAL/SPECIFICATION	ZONE	ITEM NO
TOLERANCES UNLESS OTHERWISE NOTED		NATIONAL OPTICAL ASTRONOMY OBSERVATORIES			
DECIMALS		OPERATED BY THE			
.XX ± .03		ASSOCIATION OF UNIVERSITIES FOR RESEARCH IN ASTRONOMY			
.XXX ± .010		UNDER COOPERATIVE AGREEMENT WITH			
		NATIONAL SCIENCE FOUNDATION			
NEXT ASSEMBLY 2131.003E5		NAME WAVEFRONT CAMERA— MIRROR HOUSING		REF FILE 1301	
				USED ON	
SCALE FULL	DESIGNED BY	DATE	APPROVED BY	DATE	DWG NO
DRAWING PRODUCED USING AUTOCAD v.14	DRAWN BY J.HOEY	DATE 12/05/01	APPROVED BY	DATE	2131.003C10
PRINT REVIEW	CHECKED BY	DATE	APPROVED BY	DATE	RELEASED
					REV
					SHEET OF