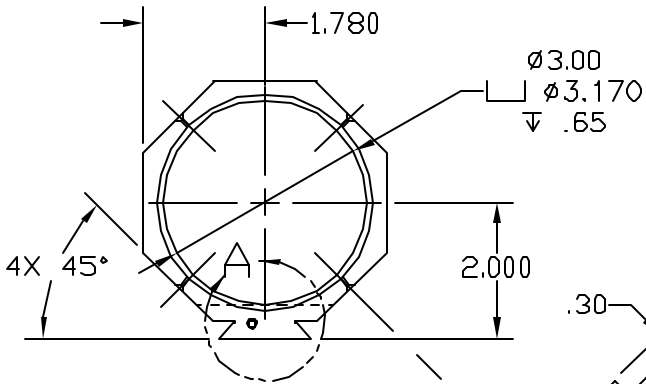
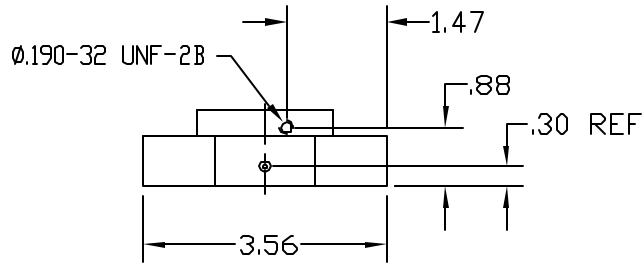
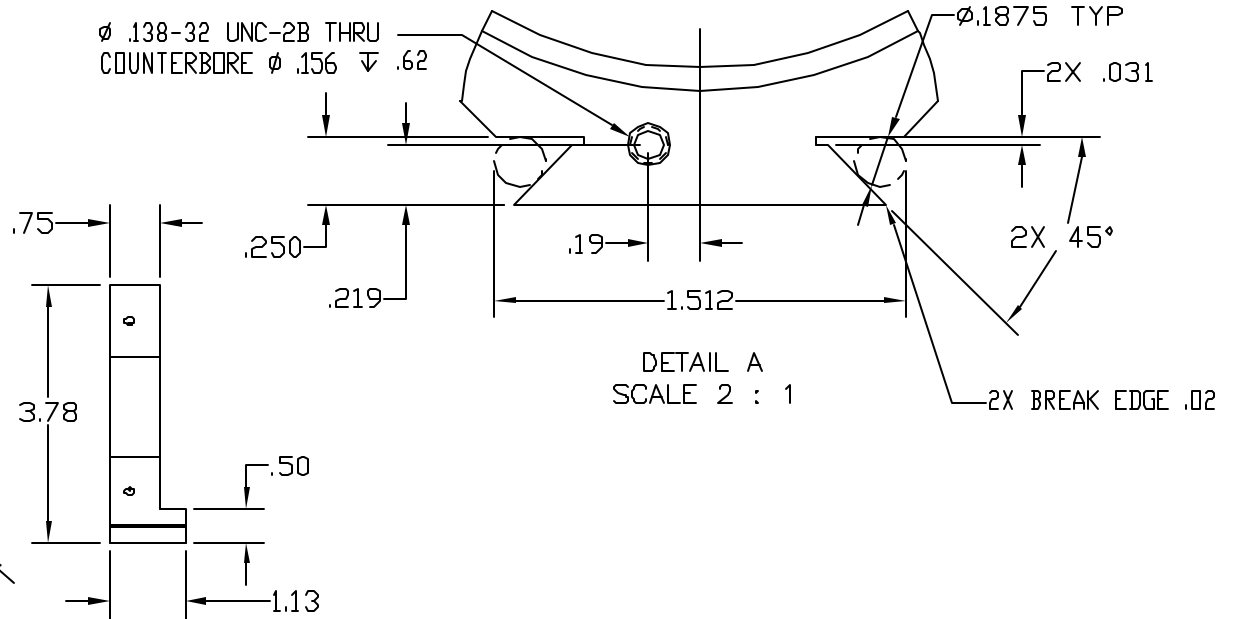
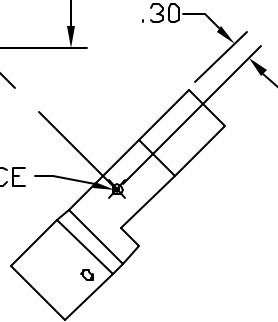


- NOTES: UNLESS OTHERWISE SPECIFIED
 1. REMOVE ALL BURRS AND SHARP EDGES
 2. MAT'L: ALUMINUM ALLOY 6061-T6
 3. FINISH: BLACK SULFURIC ANODIZE

REVISIONS					
LTR	DESCRIPTION	ECR	DATE	BY	APRV



4X $\phi .052$ THRU NEXT SURFACE
 $\surd 82^\circ \times \phi .15$



DETAIL A
 SCALE 2 : 1

TOLERANCES UNLESS OTHERWISE NOTED
 DECIMALS FRACTIONS ANGULAR
 .XX $\pm .03$ $\pm -$ $\pm 0^\circ 30'$
 .XXX $\pm .010$

NATIONAL OPTICAL ASTRONOMY OBSERVATORIES
 OPERATED BY THE
 ASSOCIATION OF UNIVERSITIES FOR RESEARCH IN ASTRONOMY
 UNDER COOPERATIVE AGREEMENT WITH
 NATIONAL SCIENCE FOUNDATION

NEXT ASSEMBLY 2131.003C14	NAME LENS MOUNT, DOUBLET	REF FILE 1301
SCALE 1/2	DESIGNED BY J.HOEY	DATE 04/26/02
DRAWING PRODUCED USING AUTOCAD v.14	CHECKED BY	DATE
ISSUED	APPROVED BY	DATE
DWG NO 2131.003B29		REV
RELEASED	SHEET	OF