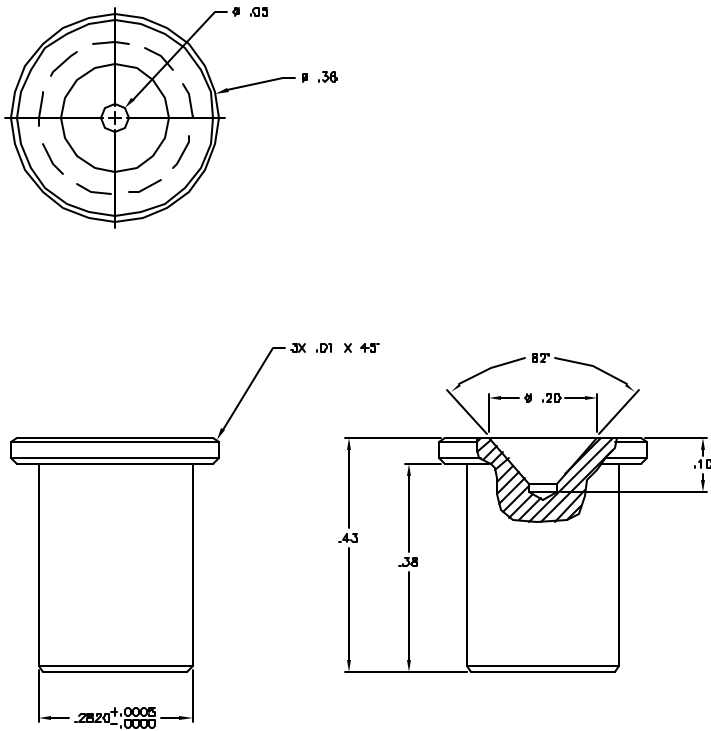


NOTES: UNLESS OTHERWISE SPECIFIED

1. REMOVE ALL BURRS AND SHARP EDGES .015
2. MACHINED SURFACE ROUGHNESS 125 ✓
3. MAT'L: BLACK DELRIN
4. FINISH: NONE

REVISIONS

LTR	DESCRIPTION	ECR	DATE	BY	APRV
-----	-------------	-----	------	----	------



TOLERANCES UNLESS OTHERWISE NOTED  
 DECIMALS FRACTIONS ANGULAR  
 .XX ± .03 ± - ± 0°30'  
 .XXX ± .010

NATIONAL OPTICAL ASTRONOMY OBSERVATORIES  
 OPERATED BY THE  
 ASSOCIATION OF UNIVERSITIES FOR RESEARCH IN ASTRONOMY  
 UNDER COOPERATIVE AGREEMENT WITH  
 NATIONAL SCIENCE FOUNDATION

NEXT ASSEMBLY 2131.003E54	NAME <b>PRISM ARM STOP BUTTON</b>				REF FILE 1301
					USED ON
SCALE 8:1	DESIGNED BY	DATE	APPROVED BY	DATE	DWG NO
DRAWING PRODUCED USING AUTOCAD v.14	DRAWN BY DPG	DATE 9/20/02	APPROVED BY	DATE	2131.003B27
ISSUED	CHECKED BY	DATE	APPROVED BY	DATE	
					REV
					RELEASED
					SHEET OF