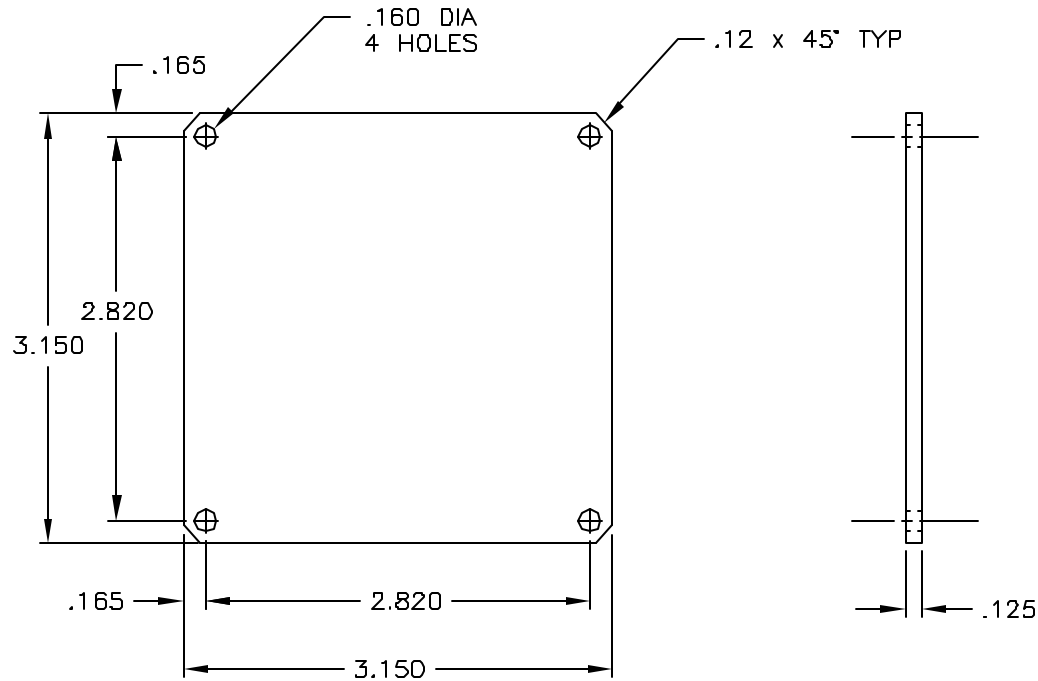


NOTES: UNLESS OTHERWISE SPECIFIED

1. REMOVE ALL BURRS AND SHARP EDGES $\pm .015$
2. MACHINED SURFACE ROUGHNESS 125 ✓
3. MAT'L: ALUMINUM ALLOY 6061-T0
4. FINISH: BLACK ANODIZE

REVISIONS					
LTR	DESCRIPTION	ECR	DATE	BY	APRV



TOLERANCES UNLESS OTHERWISE NOTED
 DECIMALS FRACTIONS ANGULAR
 .XX ± .03 ± - ± 0°30'
 .XXX ± .010

NATIONAL OPTICAL ASTRONOMY OBSERVATORIES
 OPERATED BY THE
 ASSOCIATION OF UNIVERSITIES FOR RESEARCH IN ASTRONOMY
 UNDER COOPERATIVE AGREEMENT WITH
 NATIONAL SCIENCE FOUNDATION

NEXT ASSEMBLY 2131.003C19	NAME COVER				REF FILE 1301
SCALE FULL					DESIGNED BY J.HOEY
DRAWING PRODUCED USING AUTOCAD v.14					DATE 07/19/01
ISSUED					DATE
CHECKED BY 					DATE
APPROVED BY 					DATE
APPROVED BY 					DATE
DWG NO 2131.003B23					REV
RELEASED					SHEET
					OF