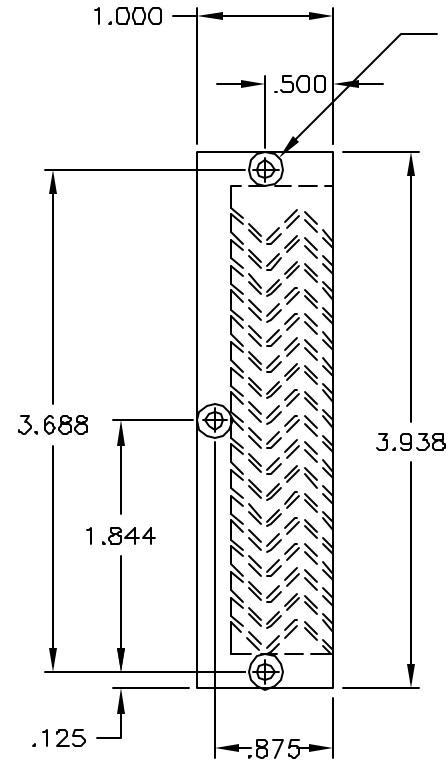
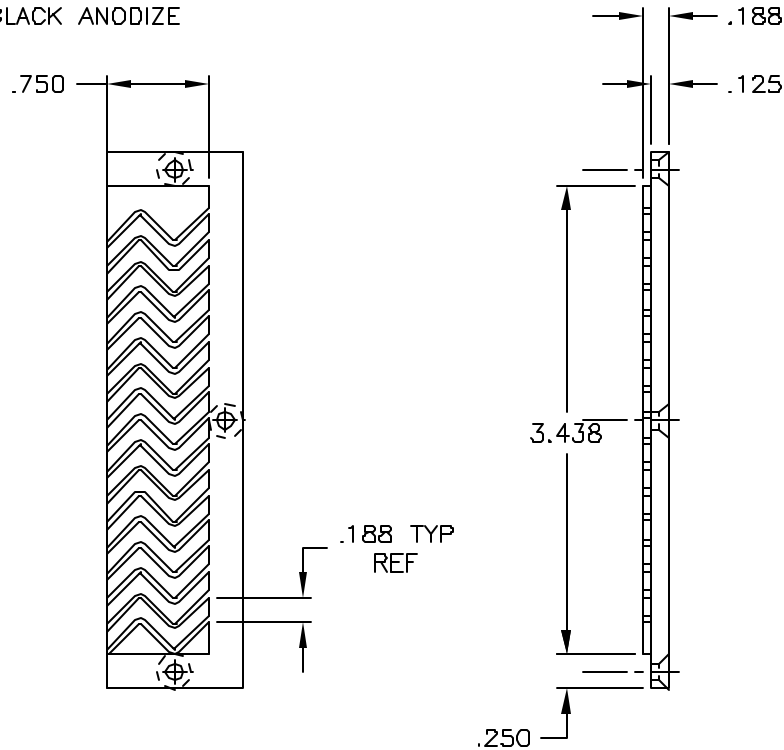


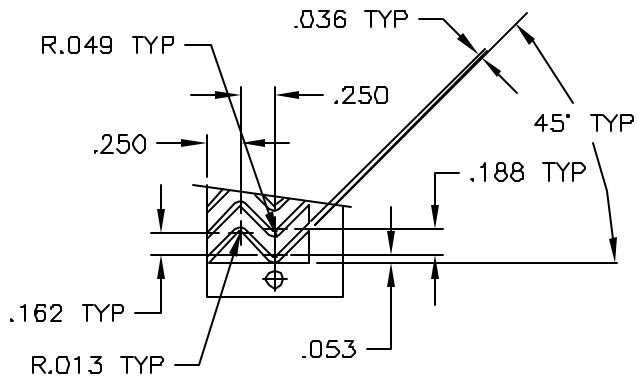
NOTES: UNLESS OTHERWISE SPECIFIED

1. REMOVE ALL BURRS AND SHARP EDGES .015
2. MACHINED SURFACE ROUGHNESS 125 ✓
3. MAT'L: ALUMINUM ALLOY 6061-T6
4. FINISH: BLACK ANODIZE

REVISIONS					
LTR	DESCRIPTION	ECR	DATE	BY	APRV



2131.003B21-1	RIGHT HAND SHOWN
2131.003B21-2	LEFT HAND OPPOSITE



TOLERANCES UNLESS OTHERWISE NOTED
 DECIMALS FRACTIONS ANGULAR
 .XX ± .03 ± - ± 0°30'
 .XXX ± .010

NATIONAL OPTICAL ASTRONOMY OBSERVATORIES
 OPERATED BY THE
 ASSOCIATION OF UNIVERSITIES FOR RESEARCH IN ASTRONOMY
 UNDER COOPERATIVE AGREEMENT WITH
 NATIONAL SCIENCE FOUNDATION

NEXT ASSEMBLY 2131.003C19	NAME END PLATE— LIGHT BAFFLE	REF FILE 1301
SCALE FULL	DESIGNED BY J. HOEY	USED ON
DRAWING PRODUCED USING AUTOCAD v.14	DATE 07/19/01	REV 2131.003B21
ISSUED	CHECKED BY	DATE
APPROVED BY	DATE	RELEASED
APPROVED BY	DATE	SHEET OF