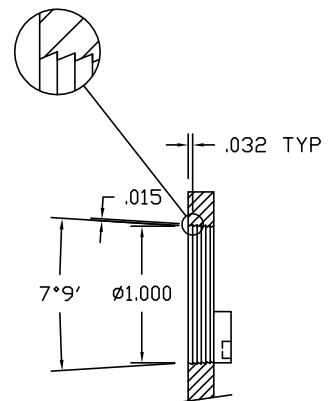
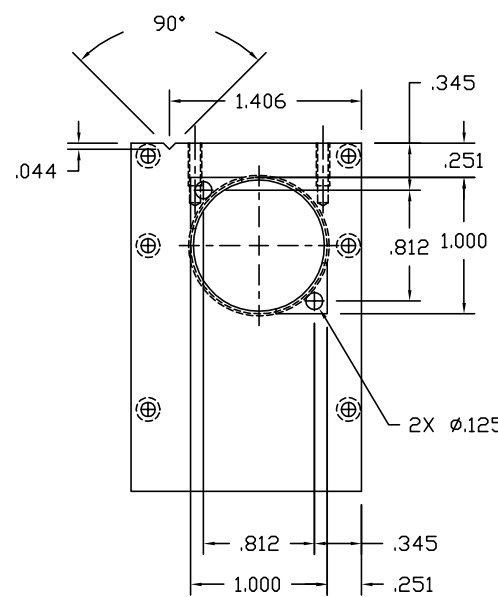
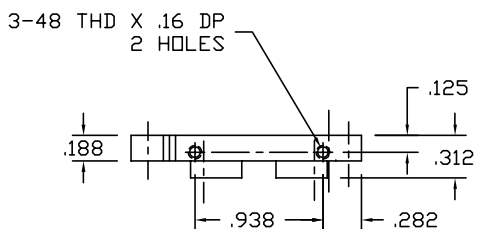
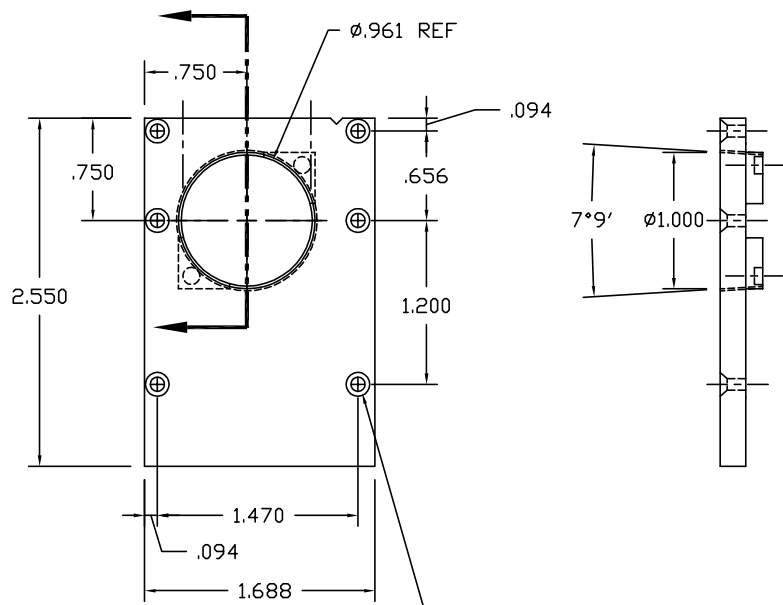


NOTES: UNLESS OTHERWISE NOTED.

1. REMOVE ALL BURRS AND SHARP EDGES .02
2. MACHINED SURFACE ROUGHNESS .125
3. MAT'L: ALUMINUM 6061-T6



SECTION

2X ϕ .125 BLIND BORE .063 DP.

REVISIONS					
LTR	DESCRIPTION	ECR	DATE	BY	APRV

6X ϕ .104, C'SINK 82° X .188

TOLERANCES UNLESS OTHERWISE NOTED
 DECIMALS FRACTIONS ANGULAR
 .XX \pm .03 \pm - \pm 0°30'
 .XXX \pm .010

NATIONAL OPTICAL ASTRONOMY OBSERVATORIES
 OPERATED BY THE
 ASSOCIATION OF UNIVERSITIES FOR RESEARCH IN ASTRONOMY
 UNDER COOPERATIVE AGREEMENT WITH
 NATIONAL SCIENCE FOUNDATION

NEXT ASSEMBLY 2131.003C11		NAME FRONT PLATE, PRISM ASSY.			REF FILE 1301	
SCALE FULL		DESIGNED BY J.HOEY	DATE 12/5/00	APPROVED BY	DATE	DWG NO 2131.003B18
ISSUED		CHECKED BY	DATE	APPROVED BY	DATE	REV A
		RELEASED			SHEET OF	